



VPC3+C

User Manual

Revision 1.04



Liability Exclusion

We have tested the contents of this document regarding agreement with the hardware and software described. Nevertheless, there may be deviations and we do not guarantee complete agreement. The data in the document is tested periodically, however. Required corrections are included in subsequent versions. We gratefully accept suggestions for improvements.

Copyright

Copyright © profichip GmbH 2004-2007.
All Rights Reserved.

Unless permission has been expressly granted, passing on this document or copying it, or using and sharing its content are not allowed. Offenders will be held liable. All rights reserved, in the event a patent is granted or a utility model or design is registered.

This document is subject to technical changes.

Table of Contents

1	Introduction	5
2	Functional Description	7
2.1	Overview	7
3	Pin Description.....	9
3.1	Pin Assignment	9
3.2	Pinout	11
4	Memory Organization	13
4.1	Overview	13
4.2	Control Parameters (Latches/Registers)	15
4.3	Organizational Parameters (RAM)	17
5	ASIC Interface.....	19
5.1	Mode Registers	19
5.1.1	Mode Register 0	19
5.1.2	Mode Register 1	21
5.1.3	Mode Register 2	23
5.2	Status Register	25
5.3	Interrupt Controller	27
5.3.1	Interrupt Request Register.....	28
5.3.2	Interrupt Acknowledge / Mask Register	31
5.4	Watchdog Timer	31
5.4.1	Automatic Baud Rate Identification.....	32
5.4.2	Baud Rate Monitoring	32
5.4.3	Response Time Monitoring.....	32
6	PROFIBUS DP Interface.....	35
6.1	DP Buffer Structure	35
6.2	Description of the DP Services.....	38
6.2.1	Set_Slave_Add (SAP 55)	38
6.2.2	Set_Prm (SAP 61)	39
6.2.3	Chk_Cfg (SAP 62)	43
6.2.4	Slave_Diag (SAP 60).....	44
6.2.5	Write_Read_Data / Data_Exchange (Default_SAP).....	46
6.2.6	Global_Control (SAP 58)	50
6.2.7	RD_Input (SAP 56)	51
6.2.8	RD_Output (SAP 57)	51
6.2.9	Get_Cfg (SAP 59).....	52

7	PROFIBUS DP Extensions	53
7.1	Set_(Ext_)Prm (SAP 53 / SAP 61)	53
7.2	PROFIBUS DP-V1	54
7.2.1	Acyclic Communication Relationships	54
7.2.2	Diagnosis Model	57
7.3	PROFIBUS DP-V2	58
7.3.1	DXB (Data eXchange Broadcast)	58
7.3.2	IsoM (Isochron Mode).....	64
8	Hardware Interface.....	69
8.1	Universal Processor Bus Interface	69
8.1.1	Overview	69
8.1.2	Bus Interface Unit	69
8.1.3	Application Examples (Principles)	73
8.1.4	Application with 80C32 (2K Byte RAM Mode)	75
8.1.5	Application with 80C32 (4K Byte RAM Mode)	76
8.1.6	Application with 80C165	77
8.2	Dual Port RAM Controller	77
8.3	UART	78
8.4	ASIC Test	78
9	PROFIBUS Interface.....	79
9.1	Pin Assignment	79
9.2	Example for the RS485 Interface	80
10	Operational Specifications	81
10.1	Absolute Maximum Ratings.....	81
10.2	Recommended Operating Conditions	81
10.3	General DC Characteristics.....	81
10.4	Ratings for the Output Drivers.....	82
10.5	DC Electrical Characteristics Specification for 5V Operation	82
10.6	DC Electrical Characteristics Specification for 3.3V Operation	83
10.7	Timing Characteristics	84
10.7.1	System Bus Interface.....	84
10.7.2	Timing in the Synchronous Intel Mode	85
10.7.3	Timing in the Asynchronous Intel Mode.....	87
10.7.4	Timing in the Synchronous Motorola Mode	89
10.7.5	Timing in the Asynchronous Motorola Mode	91
10.8	Package	94
10.9	Processing Instructions	96
10.10	Ordering Information	96

Profichip's **VPC3+C** is a communication chip with processor interface for intelligent PROFIBUS DP-Slave applications. It's an enhancement of the **VPC3+B** in terms of protocol functions and power consumption.

The VPC3+C handles the message and address identification, the data security sequences and the protocol processing for PROFIBUS DP. In addition the acyclic communication and alarm messages, described in DPV1 extension, are supported. Furthermore the slave-to-slave communication Data eXchange Broadcast (DXB) and the Isochronous Bus Mode (IsoM), described in DPV2 extension, are also provided.

Automatic recognition and support of data transmissions rates up to 12 Mbit/s, the integration of the complete PROFIBUS DP protocol, 4K Byte communication RAM and the configurable processor interface are features to create high-performance PROFIBUS DP-Slave applications. The device can be operated with either 3.3V or 5V single supply voltage. For 3.3V operation the inputs are 5V tolerant.

Profichip's **VPC3+** is the predecessor of VPC3+C and VPC3+B. The chip offers 2 kByte communication RAM and PROFIBUS DP functionality only and is therefore suited for DP-Slave applications which do not require DP-V1 or DP-V2 functions. The device can be operated with 5V single supply only.

VPC3+ and **VPC3+C** are pin-compatible. Therefore VPC3+ can be replaced by VPC3+C in existing applications without any restrictions or SW-modifications. However, downgrading from VPC3+C to VPC3+ is only possible, if the additional features of VPC3+C (4K Byte RAM, DP-V1- or DP-V2-functionality, 3.3V supply) are not used.

As there are also simple devices in the automation engineering area, such as switches or thermoelements, that do not require a microcontroller for data preprocessing, profichip offers a DP-Slave ASIC with 32 direct input/output bits. The **VPCLS2** handles the entire data traffic independently. No additional microprocessor or firmware is necessary. The VPCLS2 is compatible to existing chips.

Further information about our products or current and future projects is available on our web page: <http://www.profichip.com>.

1 Introduction

Notes:

2.1 Overview

The VPC3+C makes a cost optimized design of intelligent PROFIBUS DP-Slave applications possible.

The processor interface supports the following processor series:

Intel:	80C31, 80X86
Siemens:	80C166/165/167
Motorola:	HC11-, HC16-, and HC916 types

The VPC3+C handles the physical layer 1 and the data link layer 2 of the ISO/OSI-reference-model excluding the analog RS485 drivers.

The **integrated 4K Byte Dual-Port-RAM** serves as an interface between the VPC3+C and the software/application. In case of using 2K Byte the entire memory is divided into 256 segments, with 8 bytes each. Otherwise in the 4K Byte mode the segment base addresses starts at multiple of 16. Addressing by the user is done directly, however, the internal Micro Sequencer (MS) addresses the RAM by means of the so-called base-pointer. The base-pointer can be positioned at the beginning of a segment in the memory. Therefore, all buffers must be located at the beginning of a segment.

If the VPC3+C carries out a DP communication it automatically sets up all DP-SAPs. The various telegram information are made available to the user in separate data buffers (for example, parameter and configuration data). Three buffers are provided for data communication (three for output data and three for input data). As one buffer is always available for communication no resource problems can occur. For optimal diagnosis support, the VPC3+C offers two Diagnosis-Buffers. The user enters the updated diagnosis data into these buffers. One Diagnosis-Buffer is always assigned to the VPC3+C.

The **Bus Interface Unit** is a parameterizable synchronous/asynchronous 8-bit interface for various Intel and Motorola microcontrollers/processors. The user can directly access the internal 2K/4K Byte RAM or the parameter latches and control registers via the 11/12-bit address bus.

Procedure-specific parameters (Station_Address, control bits, etc.) must be transferred to the **Parameter Registers** and to the **Mode Registers** after power-on.

The MAC status can be observed at any time in the **Status Register**.

Various events (e.g. various indications, error events, etc.) are entered in the **Interrupt Controller**. These events can be individually enabled via a mask register. Acknowledgement takes place by means of the acknowledge register. The VPC3+C has a common interrupt output.

2 Functional Description

The integrated **Watchdog Timer** is operated in three different states: BAUD_SEARCH, BAUD_CONTROL and DP_CONTROL.

The **Micro Sequencer** (MS) controls the entire process. It contains the DP-Slave state machine (DP_SM).

The integrated **4K Byte RAM** that operates as a Dual-Port-RAM contains procedure-specific parameters (buffer pointer, buffer lengths, Station_Address, etc.) and the data buffers.

In the **UART**, the parallel data flow is converted into the serial data flow and vice-versa. The VPC3+C is capable of automatically identifying the baud rates (9.6 Kbit/s - 12 Mbit/s).

The **Idle Timer** directly controls the bus times on the serial bus line.

3.1 Pin Assignment

Pin	Signal Name	In/Out	Description		Source / Destination
1	XCS	I(C)	Chip-Select	C32 Mode (2K Byte RAM): connect to VDD C165 Mode: CS-Signal	CPU (80C165)
	AB11		Address Bus 11 (C32-Mode; 4K Byte RAM)		
2	XWR / E_CLOCK	I(C)	Write Signal / E_Clock for Motorola		CPU
	AB11		Address Bus 11 (Asynchronous Motorola Mode; 4K Byte RAM)		
3	DIVIDER	I(C)	Setting the scaling factor for CLKOUT2/4	'0' = CLK divided by 4 '1' = CLK divided by 2	Configuration Pin
4	XRD / R_W	I(C)	Read Signal / Read_Write for Motorola		CPU
5	CLK	I(TS)	System Clock Input, 48 MHz		System
6	VSS				
7	CLKOUT2/4	O	Clock Output (System Clock divided by 2 or 4)		System, CPU
8	XINT/MOT	I(C)	'0' = Intel Interface '1' = Motorola Interface		Configuration Pin
9	X/INT	O	Interrupt		CPU; Interrupt-Controller
10	AB10	I(CPD)	Address Bus	C32 Mode: '0' C165 Mode: Address Bus	System, CPU
11	DB0	I(C)/O	Data Bus	C32 Mode: Data/Address Bus multiplexed C165 Mode: Data/Address Bus separated	CPU, Memory
12	DB1	I(C)/O			
13	XDATAEXCH	O	Indicates DATA-EXCH state for PROFIBUS DP		LED
	SYNC		Synchronization Signal for Isochron Mode (see section 8.3.2)		CPU
14	XREADY/XDTACK	O	Ready for external CPU		System, CPU
15	DB2	I(C)/O	Data Bus	C32 mode: Data /Address Bus multiplexed C165 mode: Data/Address Bus separate	CPU, Memory
16	DB3	I(C)/O			
17	VSS				
18	VDD				
19	DB4	I(C)/O	Data Bus	C32 mode: Data/Address Bus multiplexed C165 mode: Data/Address Bus separate	CPU, Memory
20	DB5	I(C)/O			
21	DB6	I(C)/O			
22	DB7	I(C)/O			
23	MODE	I	'0' = 80C166 Data/Address Bus separated; Ready Signal '1' = 80C32 Data/Address Bus multiplexed, fixed Timing		Configuration Pin
24	ALE / AS	I(C)	Address Latch Enable	C32 mode: ALE C165 mode: '0' (2K Byte RAM)	CPU
	AB11		Address Bus 11 (Asynchronous Intel and Synchronous Motorola Mode; 4K Byte RAM)		
25	AB9	I	Address Bus	C32 Mode: <log>0 C165 Mode: Address Bus	CPU, Memory
26	TXD	O	Serial Transmit Port		PROFIBUS Interface
27	RTS	O	Request to Send		PROFIBUS Interface
28	VSS				
29	AB8	I(C)	Address Bus	C32 mode: '0' C165 mode: Address Bus	CPU, Memory

3 Pin Description

Pin	Signal Name	In/Out	Description	Source / Destination
30	RXD	I(C)	Serial Receive Port	PROFIBUS Interface
31	AB7	I(C)	Address Bus	CPU, Memory
32	AB6	I(C)		
33	XCTS	I(C)	Clear to Send: '0' = send enable	FSK Modem
34	XTEST0	I(C)	Pin must be connected to VDD.	
35	XTEST1	I(C)	Pin must be connected to VDD.	
36	RESET	I(CS)	Connect Reset Input with CPU's port pin.	
37	AB4	I(C)	Address Bus	CPU, Memory
38	VSS			
39	VDD			
40	AB3	I(C)	Address Bus	CPU, Memory
41	AB2	I(C)		
42	AB5	I(C)		
43	AB1	I(C)		
44	AB0	I(C)		

Figure 3-1: Pin Assignment

Notes: All signals that begin with X.. are LOW active.
 C32-Mode means 'Synchronous Intel Mode' and
 C165-Mode means 'Asynchronous Intel Mode'.
 VDD = +5 V
 VSS = 0 V

Input Levels:

I (C) : CMOS
 I (CS) : CMOS, Schmitt-Trigger
 I (CPD) : CMOS, pulldown
 I (TS) : TTL, Schmitt-Trigger

4K Byte RAM extension

Beginning with Step B of the VPC3+ the communication RAM has been extended to 4K Byte, whereas Step A only has 2K Byte. To access the entire 4K Byte RAM in VPC3+C an additional address signal AB11 is required. Which pin is assigned to A11 depends on the Processor Interface Mode used (see Figure 3-2). Due to compatibility reasons the pin which is now assigned to A11 was unused in Step A for the certain Interface Mode.

Processor Interface Mode	Pin	Signal Name
Synchronous Intel Mode	1	XCS
Asynchronous Intel Mode	24	ALE/AS
Asynchronous Motorola Mode	2	XWR/E_CLOCK
Synchronous Motorola Mode	24	ALE/AS

Figure 3-2 : Pin assignment for AB11

The 4K Byte RAM extension must be enabled in Mode Register 2 (see section 5.1.3). By default the 4K Byte mode is disabled.

3.2 Pinout

VPC3+C has a 44-pin PQFP housing with the following pinout:

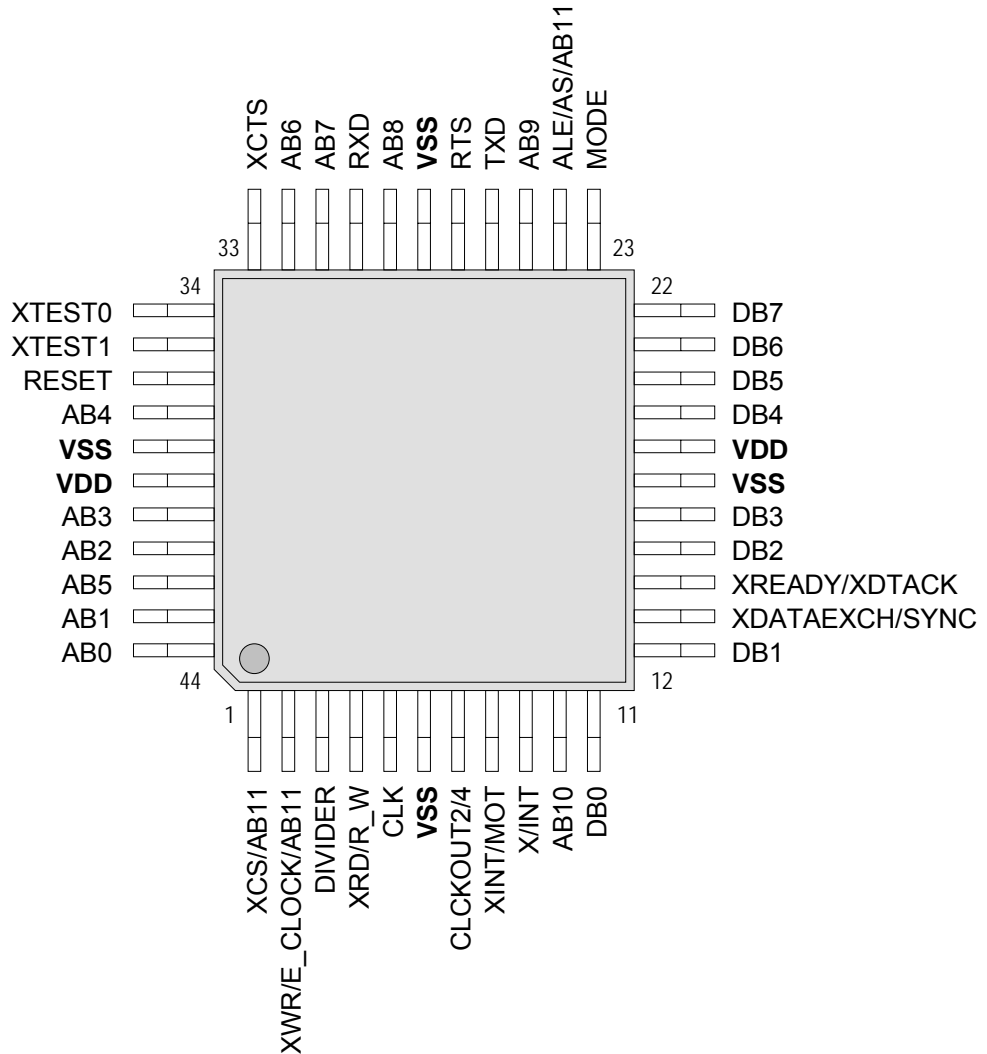


Figure 3-3: VPC3+C Pinout

For details about package outline and dimensions see section 10.8.

3 Pin Description

Notes:

Memory Organization 4

4.1 Overview

The internal Control Parameters are located in the first 21 addresses. The latches/registers either come from the internal controller or influence the controller. Certain cells are read- or write-only. The internal working cells, which are not accessible by the user, are located in RAM at the same address locations.

The Organizational Parameters are located in RAM beginning with address 16H. The entire buffer structure (for the DP-SAPs) is based on these parameters. In addition, general parameter data (Station_Address, Ident_Number, etc.) and status information (Global_Control command, etc.) are also stored in these cells.

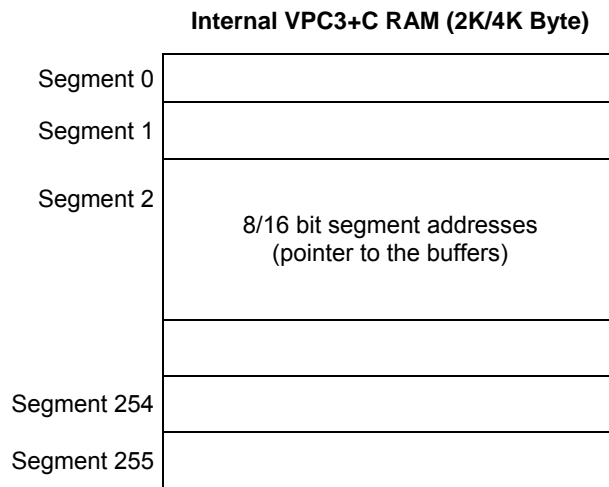
Corresponding to the parameter setting of the Organizational Parameters, the user-generated buffers are located beginning with address 40H. All buffers or lists must begin at segment addresses (8 bytes segmentation for 2K Byte mode, 16 bytes segmentation for 4K Byte mode).

Address	Function	
000H : 015H	Control Parameters (latches/registers) (21 bytes)	Internal working cells
016H : 03FH	Organizational Parameters (42 bytes)	
040H : 7FFH (FFFH)	DP-buffers: Data in (3)* Data out (3)** Diagnosis data(2) Parameter data (1) Configuration data (2) Auxiliary buffers (2) SSA-buffer (1) DP-V1-buffer: SAP-List (1) Indication / Response buffers *** DP-V2-buffer: DXB out (3)**** DXB-buffers (2) CS-buffers (1)	

Figure 4-1: Memory Table

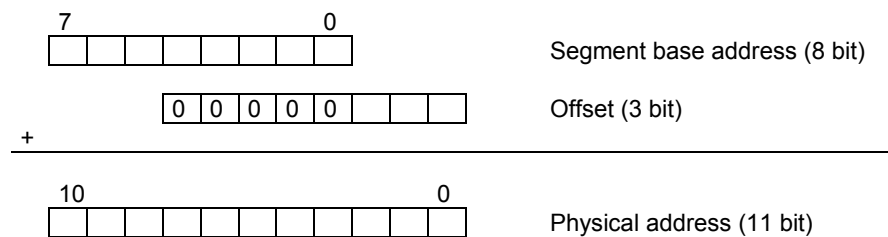
- * Data in means input data from DP-Slave to DP-Master
- ** Data out means output data from DP-Master to DP-Slave
- *** number of buffers depends on the entries in the SAP-List
- **** DXB out means input data from another DP-Slave (slave-to-slave communication)

4 Memory Organization

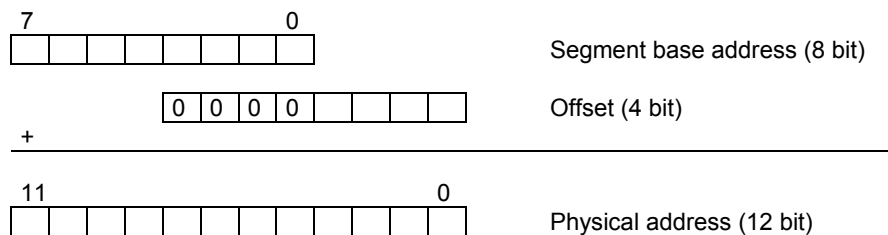


Building of the physical buffer address:

2K Byte Mode:



4K Byte Mode:



4.2 Control Parameters (Latches/Registers)

These cells can be either read-only or write-only. In the Motorola Mode the VPC3+C carries out 'address swapping' for an access to the address locations 00H - 07H (word registers). That is, the VPC3+C internally generates an even address from an odd address and vice-versa.

Address		Name	Bit No.	Significance (Read Access!)
Intel	Mot.			
00H	01H	Int-Req-Reg	7..0	Interrupt Controller Register
01H	00H	Int-Req-Reg	15..8	
02H	03H	Int-Reg	7..0	
03H	02H	Int-Reg	15..8	
04H	05H	Status-Reg	7..0	Status Register
05H	04H	Status-Reg	15..8	
06H	07H	Mode-Reg 0	7..0	Mode Register 0
07H	06H	Mode-Reg 0	15..8	
08H		Din_Buffer_SM	7..0	Buffer assignment of the DP_Din_Buffer_State_Machine
09H		New_Din_Buffer_Cmd	1..0	The user makes a new DP Din_Buf available in the N state.
0AH		Dout_Buffer_SM	7..0	Buffer assignment of the DP_Dout_Buffer_State_Machine
0BH		Next_Dout_Buffer_Cmd	3..0	The user fetches the last DP Dout_Buf from the N state
0CH		Diag_Buffer_SM	3..0	Buffer assignment for the DP_Diag_Buffer_State_Machine
0DH		New_Diag_Buffer_Cmd	1..0	The user makes a new DP Diag_Buf available to the VPC3+C.
0EH		User_Prm_Data_Okay	1..0	The user positively acknowledges the user parameter setting data of a Set_(Ext_)Prm telegram.
0FH		User_Prm_Data_Not_Okay	1..0	The user negatively acknowledges the user parameter setting data of a Set_(Ext_)Prm telegram.
10H		User_Cfg_Data_Okay	1..0	The user positively acknowledges the configuration data of a Chk_Cfg telegram.
11H		User_Cfg_Data_Not_Okay	1..0	The user negatively acknowledges the configuration data of a Chk_Cfg telegram.
12H		DXBout_Buffer_SM	7..0	Buffer assignment of the DXBout_Buffer_State_Machine
13H		Next_DXBout_Buffer_Cmd	2..0	The user fetches the last DXBout_Buf from the N state
14H		SSA_Buffer_Free_Cmd		The user has fetched the data from the SSA_Buf and enables the buffer again.
15H		Mode-Reg 1	7..0	

Figure 4-2: Assignment of the Internal Parameter-Latches for READ

4 Memory Organization

Address		Name	Bit No.	Significance (Write Access!)
Intel	Mot.			
00H	01H	Int-Req-Reg	7..0	Interrupt-Controller-Register
01H	00H	Int-Req_Reg	15..8	
02H	03H	Int-Ack-Reg	7..0	
03H	02H	Int-Ack-Reg	15..8	
04H	05H	Int-Mask-Reg	7..0	
05H	04H	Int-Mask-Reg	15..8	
06H	07H	Mode-Reg0	7..0	Setting parameters for individual bits
07H	06H	Mode-Reg0	15..8	
08H		Mode-Reg1-S	7..0	
09H		Mode-Reg1-R	7..0	
0AH		WD_BAUD_CONTROL_Val	7..0	Square-root value for baud rate monitoring
0BH		minT _{SDR} _Val	7..0	minT _{SDR} time
0CH		Mode-Reg2	7..0	Mode Register 2
0DH		Sync_PW_Reg	7..0	Sync Pulse Width Register
0EH		Control_Command_Reg	7..0	Control_Command value for comparison with SYNCH telegram
0FH		Group_Select_Reg	7..0	Group_Select value for comparison with SYNCH telegram
10H		Reserved		
11H				
12H				
13H				
14H				
15H				

Figure 4-3: Assignment of the Internal Parameter-Latches for WRITE

4.3 Organizational Parameters (RAM)

The user stores the organizational parameters in the RAM under the specified addresses. These parameters can be written and read.

Address		Name	Bit No.	Significance
Intel	Mot.			
16H		R_TS_Adr		Setup Station_Address of the VPC3+C
17H		SAP_List_Ptr		Pointer to a RAM address which is preset with FFh or to SAP-List
18H	19H	R_User_WD_Value	7..0	In DP_Mode an internal 16-bit watchdog timer monitors the user.
19H	18H	R_User_WD_Value	15..8	
1AH		R_Len_Dout_Buf		Length of the 3 Dout_Buf
1BH		R_Dout_Buf_Ptr1		Segment base address of Dout_Buf 1
1CH		R_Dout_Buf_Ptr2		Segment base address of Dout_Buf 2
1DH		R_Dout_Buf_Ptr3		Segment base address of Dout_Buf 3
1EH		R_Len_Din_Buf		Length of the 3 Din_Buf
1FH		R_Din_Buf_Ptr1		Segment base address of Din_Buf 1
20H		R_Din_Buf_Ptr2		Segment base address of Din_Buf 2
21H		R_Din_Buf_Ptr3		Segment base address of Din_Buf 3
22H		R_Len_DXBout_Buf		Length of the 3 DXBout_Buf
23H		R_DXBout_Buf_Ptr1		Segment base address of DXBout_Buf 1
24H		R_Len_Diag_Buf1		Length of Diag_Buf 1
25H		R_Len_Diag_Buf2		Length of Diag_Buf 2
26H		R_Diag_Buf_Ptr1		Segment base address of Diag_Buf 1
27H		R_Diag_Buf_Ptr2		Segment base address of Diag_Buf 2
28H		R_Len_Cntrl_Buf1		Length of Aux_Buf 1 and the corresponding control buffer, for example SSA_Buf, Prm_Buf, Cfg_Buf, Read_Cfg_Buf
29H		R_Len_Cntrl_Buf2		Length of Aux_Buf 2 and the corresponding control buffer, for example SSA_Buf, Prm_Buf, Cfg_Buf, Read_Cfg_Buf
2AH		R_Aux_Buf_Sel		Bit array; defines the assignment of the Aux_Buf 1 and 2 to the control buffers SSA_Buf, Prm_Buf, Cfg_Buf
2BH		R_Aux_Buf_Ptr1		Segment base address of Aux_Buf 1
2CH		R_Aux_Buf_Ptr2		Segment base address of Aux_Buf 2
2DH		R_Len_SSA_Data		Length of the input data in the Set_Slave_Address_Buf
2EH		R_SSA_Buf_Ptr		Segment base address of the Set_Slave_Address_Buf
2FH		R_Len_Prm_Data		Length of the input data in the Prm_Buf

4 Memory Organization

Address Intel Mot.	Name	Bit No.	Significance
30H	R_Prm_Buf_Ptr		Segment base address of the Prm_Buf
31H	R_Len_Cfg_Data		Length of the input data in the Cfg_Buf
32H	R_Cfg_Buf_Ptr		Segment base address of the Cfg_Buf
33H	R_Len_Read_Cfg_Data		Length of the input data in the Read_Cfg_Buf
34H	R_Read_Cfg_Buf_Ptr		Segment base address of the Read_Cfg_Buf
35H	R_Len_DXB_Link_Buf		Length of the DXB_Linktable
36H	R_DXB_Link_Buf_Ptr		Segment base address of the DXB_Link_Buf
37H	R_Len_DXB_Status_Buf		Length of the DXB_Status
38H	R_DXB_Status_Buf_Ptr		Segment base address of the DXB_Status_Buf
39H	R_Real_No_Add_Change		This parameter specifies whether the Station_Address may be changed again later.
3AH	R_Ident_Low		The user sets the parameters for the Ident_Number_Low value.
3BH	R_Ident_High		The user sets the parameters for the Ident_Number_High value.
3CH	R_GC_Command		The Control_Command of Global_Control last received
3DH	R_Len_Spec_Prm_Buf		If parameters are set for the Spec_Prm_Buffer_Mode (see Mode Register 0), this cell defines the length of the Prm_Buf.
3EH	R_DXBout_Buf_Ptr2		Segment base address of DXBout_Buf 2
3FH	R_DXBout_Buf_Ptr3		Segment base address of DXBout_Buf 3

Figure 4-4: Assignment of the Organizational Parameters

5.1 Mode Registers

In the VPC3+C parameter bits that access the controller directly or which the controller directly sets are combined in three Mode Registers (0, 1 and 2).

5.1.1 Mode Register 0

Setting parameters for Mode Register 0 may take place in the Offline state only (for example, after power-on). The VPC3+C may not exit the Offline state until Mode Register 0, all Control and Organizational Parameters are loaded (START_VPC3 = 1 in Mode Register 1).

Address	Bit Position								Designation
	7	6	5	4	3	2	1	0	
06H (Intel)	Freeze_Supported	Sync_Supported	Early_Rdy	Int_Pol	minT _{SDR}	WD_Base	Dis_Stop_Control	Dis_Start_Control	Mode Reg 0 7 .. 0 See below for coding

Address	Bit Position								Designation
	15	14	13	12	11	10	9	8	
07H (Intel)	Reserved	PrmCmd_Supported	Spec_Clear_Mode [*]	Spec_Prm_Buf_Mode ^{**}	Set_Ext_Prm_Supported	User_Time_Base	EOI_Time_Base	DP_Mode	Mode Reg 0 15 .. 8 See below for coding

^{*}) If Spec_Clear_Mode = 1 (Fail Safe Mode) the VPC3+C will accept Data_Exchange telegrams without any output data (data unit length = 0) in the state DATA-EXCH. The reaction to the outputs can be parameterized in the parameterization telegram.

^{**}) When a large number of parameters have to be transmitted from the DP-Master to the DP-Slave, the Aux-Buffer 1/2 must have the same length as the Parameter-Buffer. Sometimes this could reach the limit of the available memory in the VPC3+C. When Spec_Prm_Buf_Mode = 1 the parameterization data are processed directly in this special buffer and the Aux-Buffers can be held compact.

5 ASIC Interface

Mode Register 0, Low-Byte, Address 06H (Intel):	
bit 7	<p>Freeze_Supported: Freeze_Mode support</p> <p>0 = Freeze_Mode is not supported. 1 = Freeze_Mode is supported</p>
bit 6	<p>Sync_Supported: Sync_Mode support</p> <p>0 = Sync_Mode is not supported. 1 = Sync_Mode is supported.</p>
bit 5	<p>Early_Rdy: Early Ready</p> <p>0 = Normal Ready: Ready is generated when data is valid (write) or when data has been accepted (read). 1 = Ready is generated one clock pulse earlier</p>
bit 4	<p>INT_Pol: Interrupt Polarity</p> <p>0 = The interrupt output is low-active. 1 = The interrupt output is high-active.</p>
bit 3	<p>minT_{SDR}: Default setting for the minT_{SDR} after reset for DP operation or combi operation.</p> <p>0 = Pure DP operation (default configuration!) 1 = Combi operation</p>
bit 2	<p>WD_Base: Watchdog Time Base</p> <p>0 = Watchdog time base is 10 ms (default state) 1 = Watchdog time base is 1 ms</p>
bit 1	<p>Dis_Stop_Control: Disable Stopbit Control</p> <p>0 = Stop bit monitoring is enabled. 1 = Stop bit monitoring is switched off</p> <p>Set_Prm telegram overwrites this memory cell in the DP_Mode. (Refer to the user specific data.)</p>
bit 0	<p>Dis_Start_Control: Disable Startbit Control</p> <p>0 = Monitoring the following start bit is enabled. 1 = Monitoring the following start bit is switched off</p> <p>Set_Prm telegram overwrites this memory cell in the DP_Mode. (Refer to the user specific data.)</p>

Figure 5-1: Coding of Mode Register 0, Low-Byte

Mode Register 0, High-Byte, Address 07H (Intel):	
bit 15	Reserved
bit 14	PrmCmd_Supported: PrmCmd support for redundancy 0 = PrmCmd is not supported. 1 = PrmCmd is supported
bit 13	Spec_Clear_Mode: Special Clear Mode (Fail Safe Mode) 0 = No special clear mode. 1 = Special clear mode. VPC3+C will accept data telegrams with data unit = 0
bit 12	Spec_Prm_Buf_Mode: Special-Parameter-Buffer Mode 0 = No Special-Parameter-Buffer. 1 = Special-Parameter-Buffer mode. Parameterization data will be stored directly in the Special-Parameter-Buffer.
bit 11	Set_Ext_Prm_Supported: Set_Ext_Prm telegram support 0 = SAP 53 is deactivated 1 = SAP 53 is activated
bit 10	User_Time_Base: Timebase of the cyclical User_Time_Clock-Interrupt 0 = The User_Time_Clock-Interrupt occurs every 1 ms. 1 = The User_Time_Clock-Interrupt occurs every 10 ms.
bit 9	EOI_Time_Base: End-of-Interrupt Timebase 0 = The interrupt inactive time is at least 1 μ s long. 1 = The interrupt inactive time is at least 1 ms long
bit 8	DP_Mode: DP_Mode enable 0 = DP_Mode is disabled. 1 = DP_Mode is enabled. VPC3+C sets up all DP_SAPs (default configuration!)

Figure 5-2: Coding of Mode Register 0, High-Byte

5.1.2 Mode Register 1

Some control bits must be changed during operation. These control bits are combined in Mode Register 1 and can be set independently of each other (Mode-Reg_1_S) or can be reset independently of each other (Mode-Reg_1_R). Separate addresses are used for setting and resetting. A logical '1' must be written to the bit position to be set or reset.

For example, to set START_VPC3 write a '1' to address 08H, in order to reset this bit, write a '1' to address 09H.

5 ASIC Interface

Address	Bit Position								Designation
	7	6	5	4	3	2	1	0	
08H	Reserved	Reserved	Res_User_WD	En_Change_Cfg_Buffer	User_LEAVE-MASTER	Go_Offline	EOI	START_VPC3	Mode-Reg_1_S 7..0
09H	Reserved	Reserved	Res_User_WD	En_Change_Cfg_Buffer	User_LEAVE-MASTER	Go_Offline	EOI	START_VPC3	Mode-Reg_1_R 7..0 See below for coding

Mode Register 1, Set, Address 08H:	
bit 7	Reserved
bit 6	Reserved
bit 5	Res_User_WD: Resetting the User_WD_Timer 1 = VPC3+C sets the User_WD_Timer to the parameterized value User_WD_Value. After this action, VPC3+C sets Res_User_WD to '0'.
bit 4	En_Change_Cfg_Buffer: Enabling buffer exchange (Config-Buffer for Read_Config-Buffer) 0 = With User_Cfg_Data_Okay_Cmd, the Config-Buffer may not be exchanged for the Read_Config-Buffer. 1 = With User_Cfg_Data_Okay_Cmd, the Config-Buffer must be exchanged for the Read_Config-Buffer.
bit 3	User_LEAVE-MASTER. Request to the DP_SM to go to WAIT-PRM. 1 = The user causes the DP_SM to go to WAIT-PRM. After this action, VPC3+ sets User_LEAVE-MASTER to '0' again.
bit 2	Go_Offline: Going into the Offline state 1 = After the current request ends, VPC3+C goes to the Offline state and sets Go_Offline to '0' again.
bit 1	EOI: End-of-Interrupt 1 = VPC3+C disables the interrupt output and sets EOI to '0' again.
bit 0	Start_VPC3: Exiting the Offline state 1 = VPC3+C exits offline and goes to Passive_Idle In addition the Idle Timer and Watchdog Timer are started and 'Go_Offline = 0' is set

Figure 5-3: Coding of Mode Register 1

5.1.3 Mode Register 2

Setting parameters for Mode Register 2 may take place in the Offline State only (like Mode Register 0).

Address	Bit Position								Designation
	7	6	5	4	3	2	1	0	
	0	0	0	0	0	0	0	1	Reset Value
0CH	4kB_Mode	No_Check_Prm_Reserved	SYNC_Pol	SYNC_Ena	DX_Int_Port	DX_Int_Mode	No_Check_GC_Reserved	New_GC_Int_Mode	Mode Reg 2 7 .. 0

5 ASIC Interface

Mode Register 2, Address 0CH:	
bit 7	4KB_Mode: size of internal RAM 0 = 2K Byte RAM (default). 1 = 4K Byte RAM
bit 6	No_Check_Prm_Reserved: disables checking of the reserved bits in DPV1_Status_2/3 of Set_Prm telegram 0 = reserved bits of a Set_Prm telegram are checked (default). 1 = reserved bits of a Set_Prm telegram are not checked.
bit 5	SYNC_Pol: polarity of SYNC pulse (for Isochron Mode only) 0 = negative polarity of SYNC pulse (default) 1 = positive polarity of SYNC pulse
bit 4	SYNC_Ena: enables generation of SYNC pulse (for Isochron Mode only) 0 = SYNC pulse generation is disabled (default) 1 = SYNC pulse generation is enabled
bit 3	DX_Int_Port: Port mode for DX_Out interrupt (ignored if SYNC_Ena set) 0 = DX_Out interrupt is not assigned to port DATAEXCH (default). 1 = DX_Out Interrupt (synchronized to SYNCH telegram) is assigned to port DATAEXCH.
bit 2	DX_Int_Mode: Mode of DX_out interrupt 0 = DX_Out interrupt is only generated, if Len_Dout_Buf is unequal 0 (default). 1 = DX_Out interrupt is generated after every Data_Exchange telegram
bit 1	No_Check_GC_Reserved: Disables checking of the reserved bits in Global_Control telegram 0 = reserved bits of a Global_Control telegram are checked (default). 1 = reserved bits of a Global_Control telegram are not checked.
bit 0	GC_Int_Mode: Controls generation of New_GC_Command interrupt 0 = New_GC_Command interrupt is only generated, if a changed Global_Control telegram is received 1 = New_GC_Command interrupt is generated after every Global_Control telegram (default)

Figure 5-4: Coding of Mode Register 2

5.2 Status Register

The Status Register shows the current VPC3+C status and can be read only.

Address	Bit Position								Designation
	7	6	5	4	3	2	1	0	
04H (Intel)	WD_State		DP_State		Reserved	Diag_Flag	Reserved	Offline/ Passive_Idle	Status-Reg 7..0 See below for coding
	1	0	1	0					

Address	Bit Position								Designation
	15	14	13	12	11	10	9	8	
05H (Intel)	VPC3+ Release				Baud Rate				Status-Reg 15..8 See below for coding
	3	2	1	0	3	2	1	0	

Status Register, Low-Byte, Address 04H (Intel):	
bit 7,6	WD_State 1..0: State of the Watchdog State Machine 00 = BAUD_SEARCH state 01 = BAUD_CONTROL state 10 = DP_CONTROL state 11 = Not possible
bit 5,4	DP_State 1..0: State of the DP State Machine 00 = WAIT-PRM state 01 = WAIT-CFG state 10 = DATA-EXCH state 11 = Not possible
bit 3	Reserved
bit 2	Diag_Flag: Status of the Diagnosis-Buffer 0 = The Diagnosis-Buffer had been fetched by the DP-Master. 1 = The Diagnosis-Buffer had not been fetched by the DP-Master yet.
bit 1	Reserved
bit 0	Offline/Passive-Idle: Offline-/Passive_Idle state 0 = VPC3+C is in Offline. 1 = VPC3+C is in Passive_Idle.

Figure 5-5: Status Register, Low-Byte

5 ASIC Interface

Status Register, High-Byte, Address 05H (Intel):	
bit 15-12	VPC3+-Release 3..0 : Release number for VPC3+ 0000 = Step A 1011 = Step B 1100 = Step C 1101 = Step D Rest = Not possible
bit 11-8	Baud Rate 3..0 : The baud rate found by VPC3+D 0000 = 12,00 Mbit/s 0001 = 6,00 Mbit/s 0010 = 3,00 Mbit/s 0011 = 1,50 Mbit/s 0100 = 500,00 Kbit/s 0101 = 187,50 Kbit/s 0110 = 93,75 Kbit/s 0111 = 45,45 Kbit/s 1000 = 19,20 Kbit/s 1001 = 9,60 Kbit/s 1111 = after reset and during baud rate search Rest = not possible

Figure 5-6: Status Register, High-Byte

5.3 Interrupt Controller

The processor is informed about indication messages and various error events via the interrupt controller. Up to a total of 16 events are stored in the interrupt controller. The events are summed up to a common interrupt output. The controller does not have a prioritization level and does not provide an interrupt vector (not 8259A compatible!).

The controller consists of an Interrupt Request Register (IRR), an Interrupt Mask Register (IMR), an Interrupt Register (IR) and an Interrupt Acknowledge Register (IAR).

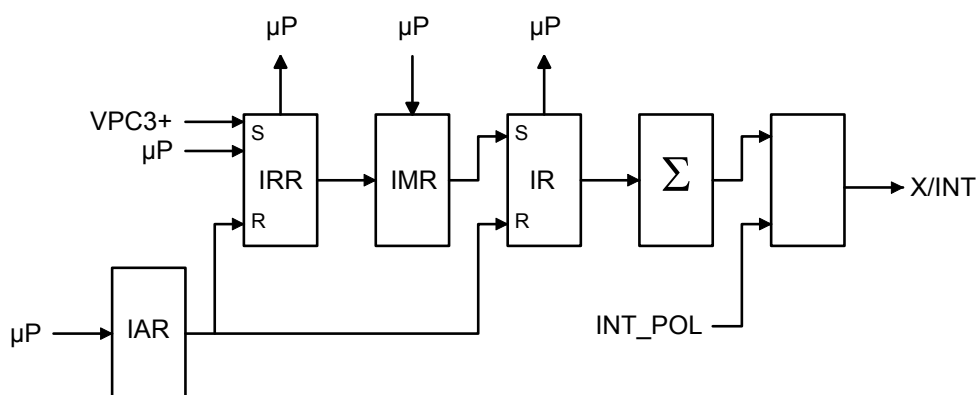


Figure 5-7: Block Diagram of Interrupt Controller

Each event is stored in the IRR. Individual events can be suppressed via the IMR. The input in the IRR is independent of the interrupt masks. Events that are not masked in the IMR set the corresponding IR bit and generate the X/INT interrupt via a sum network. The user can set each event in the IRR for debugging.

Each interrupt event that was processed by the microcontroller must be deleted via the IAR (except for New_(Ext_)Prm_Data and New_Cfg_Data). A logical '1' must be written on the specific bit position. If a new event and an acknowledge from the previous event are present at the IRR at the same time, the event remains stored. If the microcontroller enables a mask subsequently, it must be ensured that no prior IRR input is present. To be on the safe side, the position in the IRR must be deleted prior to the enabling of the mask.

Before leaving the interrupt routine, the microprocessor must set the 'end of interrupt bit' (EOI = 1) in Mode Register 1. The interrupt output is switched to inactive with this edge change. If another event occurs, the interrupt output is not activated again until the interrupt inactive time of at least 1 μs or 1 ms expires. This interrupt inactive time can be set via EOI_Time_Base in Mode Register 0. This makes it possible to enter the interrupt routine again when an edge-triggered interrupt input is used.

5 ASIC Interface

The polarity of the interrupt output is parameterized via the Int_Pol bit in Mode Register 0. After hardware reset, the output is low-active.

5.3.1 Interrupt Request Register

Address	Bit Position								Designation
	7	6	5	4	3	2	1	0	
00H (Intel)	DXB_Out	New_Ext_Prm_Data	DXB_Link_Error	User_Timer_Clock	WD_DP_CONTROL_Timeout	Baud_Rate_Detect	Go/Leave_DATA-EXCH	MAC_Reset	Int-Req-Reg 7 .. 0 See below for coding

Address	Bit Position								Designation
	15	14	13	12	11	10	9	8	
01H (Intel)	FDL_Ind	Poll_End_Ind	DX_Out	Diag_Buffer_Changed	New_Prm_Data	New_Cfg_Data	New_SSA_Data	New_GC_Command	Int-Req-Reg 15 .. 8 See below for coding

Interrupt-Request-Register, Low-Byte, Address 00H (Intel):	
bit 7	<p>DXB_Out: VPC3+C has received a DXB telegram and made the new output data available in the 'N' buffer.</p>
bit 6	<p>New_Ext_Prm_Data: The VPC3+C has received a Set_Ext_Prm telegram and made the data available in the Parameter-Buffer.</p>
bit 5	<p>DXB_Link_Error: The Watchdog cycle is elapsed and at least one Publisher-Subscriber connection breaks down.</p>
bit 4	<p>User_Timer_Clock: The time base for the User_Timer_Clocks is run out (1 / 10ms).</p>
bit 3	<p>WD_DP_CONTROL_Timeout: The watchdog timer expired in the DP_CONTROL state.</p>
bit 2	<p>Baud_Rate_Detect: The VPC3+C has left the BAUD_SEARCH state and found a baud rate.</p>
bit 1	<p>Go/Leave_DATA-EXCH: The DP_SM has entered or exited the DATA-EXCH state.</p>
bit 0	<p>MAC_Reset: After processing the current request, the VPC3+C has entered the Offline state (by setting the Go_Offline bit).</p>

Figure 5-8: Interrupt-Request-Register, Low-Byte

5 ASIC Interface

Interrupt Request Register 0, High-Byte, Address 01H (Intel):	
bit 15	FDL_Ind: The VPC3+C has received an acyclic service request and made the data available in an Indication-Buffer.
bit 14	Poll_End_Ind: The VPC3+C have send the response to an acyclic service.
bit 13	DX_Out: The VPC3+C have received a Data_Exchange telegram and made the new output data available in the 'N' buffer.
bit 12	Diag_Buffer_Changed: Due to the request made by New_Diag_Cmd, the VPC3+C exchanged the Diagnosis-Buffers and made the old buffer available to the user again.
bit 11	New_Prm_Data: The VPC3+C have received a Set_Prm telegram and made the data available in the Parameter-Buffer.
bit 10	New_Cfg_Data: The VPC3+C have received a Chk_Cfg telegram and made the data available in the Config-Buffer.
bit 9	New_SSA_Data: The VPC3+C have received a Set_Slave_Add telegram and made the data available in the Set_Slave_Add-Buffer.
bit 8	New_GC_Command: The VPC3+C have received a Global_Control telegram and stored the Control_Command in the R_GC_Command RAM cell.

Figure 5-9: Interrupt Request Register, High-Byte

5.3.2 Interrupt Acknowledge / Mask Register

The other interrupt controller registers are assigned in the bit positions like the Interrupt Request Register.

Address	Register		Reset state	Assignment
02H / 03H	Interrupt Register (IR)	Readable only	All bits cleared	
04H / 05H	Interrupt Mask Register (IMR)	Writeable, can be changed during operation	All bits set	1 = Mask is set and the interrupt is disabled 0 = Mask is cleared and the interrupt is enabled
02H / 03H	Interrupt Acknowledge Register (IAR)	Writeable, can be changed during operation	All bits cleared	1 = Interrupt is acknowledged and the IRR bit is cleared 0 = IRR bit remains unchanged

Figure 5-10: Interrupt Acknowledge / Mask Register



The New_(Ext_)Prm_Data, New_Cfg_Data interrupts cannot be acknowledged via the Interrupt Acknowledge Register. The relevant state machines clear these interrupts through the user acknowledgements (for example, User_Prm_Data_Okay etc.).

5.4 Watchdog Timer

The VPC3+C is able to identify the baud rate automatically. The state machine is in the BAUD_SEARCH state after each RESET and also after the Watchdog (WD) Timer has expired in the BAUD_CONTROL state.

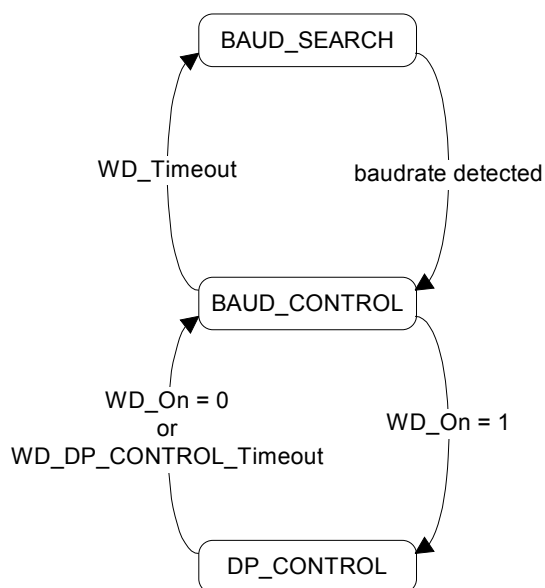


Figure 5-11: Watchdog State Machine (WD_SM)

5 ASIC Interface

5.4.1 Automatic Baud Rate Identification

The VPC3+C starts searching for the transmission rate using the highest baud rate. If no SD1 telegram, SD2 telegram, or SD3 telegram was received completely and without errors during the monitoring time, the search continues using the next lower baud rate.

After identifying the correct baud rate, the VPC3+C switches to the BAUD_CONTROL state and observes the baud rate. The monitoring time can be parameterized (WD_BAUD_CONTROL_Val). The watchdog uses a clock of 100 Hz (10 ms). Each telegram to its own Station_Address received with no errors resets the Watchdog. If the timer expires, the VPC3+C switches to the BAUD_SEARCH state again.

5.4.2 Baud Rate Monitoring

The detected baud rate is permanently monitored in BAUD_CONTROL. The Watchdog is triggered by each error-free telegram to its own Station_Address. The monitoring time results from multiplying twice WD_BAUD_CONTROL_Val (user sets this parameter) by the time base (10 ms). If the timer expires, WD_SM again goes to BAUD_SEARCH. If the user uses the DP protocol (DP_Mode = 1, see Mode Register 0), the watchdog is used for the DP_CONTROL state, after a Set_Prm telegram was received with an enabled response time monitoring (WD_On = 1). The watchdog timer remains in the baud rate monitoring state when the master monitoring is disabled (WD_On = 0). The DP_SM is not reset when the timer expires in the state BAUD_CONTROL. That is, the DP-Slave remains in the DATA-EXCH state, for example.

5.4.3 Response Time Monitoring

The DP_CONTROL state serves as the response time monitoring of the DP-Master (Diag_Master_Add). The used monitoring time results from multiplying both watchdog factors and then multiplying this result with the time base (1 ms or 10 ms):

$$T_{WD} = WD_Base * WD_Fact_1 * WD_Fact_2$$

(See byte 7 of the Set_Prm telegram.)

The user can load the two watchdog factors (WD_Fact_1 and WD_Fact_2) and the time base that represents a measurement for the monitoring time via the Set_Prm telegram with any value between 1 and 255.



EXCEPTION:

The WD_Fact_1 = WD_Fact_2 = 1 setting is not allowed. The circuit does not check this setting.

A monitoring time between 2 ms and 650 s - independent of the baud rate - can be implemented with the allowed watchdog factors.

If the monitoring time expires, the VPC3+C goes to BAUD_CONTROL state again and generates the WD_DP_CONTROL_Timeout interrupt. In addition, the DP State Machine is reset, that is, it generates the reset states of the buffer management. This operation mode is recommended for the most applications.

If another DP-Master takes over the VPC3+C, the Watchdog State Machine either branches to BAUD_CONTROL (WD_On = 0) or to DP_CONTROL (WD_On = 1).

5 ASIC Interface

Notes:

6.1 DP Buffer Structure

The DP_Mode is enabled in the VPC3+C with 'DP_Mode = 1' (see Mode Register 0). In this mode, the following SAPs are permanently reserved:

Default SAP:	Write and Read data (Data_Exchange)
SAP 53:	Sending extended parameter setting data (Set_Ext_Prm)
SAP 55:	Changing the Station_Address (Set_Slave_Add)
SAP 56:	Reading the inputs (RD_Input)
SAP 57:	Reading the outputs (RD_Output)
SAP 58:	Control commands to the DP-Slave (Global_Control)
SAP 59:	Reading configuration data (Get_Cfg)
SAP 60:	Reading diagnosis information (Slave_Diag)
SAP 61:	Sending parameter setting data (Set_Prm)
SAP 62:	Checking configuration data (Chk_Cfg)

The DP-Slave protocol is completely integrated in the VPC3+C and is handled independently. The user must correspondingly parameterize the ASIC and process and acknowledge received messages. All SAPs are always enabled except the Default SAP, SAP 56, SAP 57 and SAP 58. The remaining SAPs are not enabled until the DP_SM goes into the DATA-EXCH state. The user can disable SAP 55 to not permit changing the Station_Address. The corresponding buffer pointer R_SSA_Buf_Ptr must be set to '00H' for this purpose.

The DP_SAP Buffer Structure is shown in Figure 6-1. The user configures all buffers (length and buffer start) in the Offline state. During operation, the buffer configuration must not be changed, except for the length of the Dout-/Din-Buffers.

The user may still adapt these buffers in the WAIT-CFG state after the configuration telegram (Chk_Cfg). Only the same configuration may be accepted in the DATA-EXCH state.

The buffer structure is divided into the data buffers, Diagnosis-Buffers and the control buffers. Both the output data and the input data have three buffers available with the same length. These buffers are working as changing buffers. One buffer is assigned to the 'D' data transfer and one buffer is assigned to the 'U' user. The third buffer is either in a next state 'N' or a free state 'F'. One of the two states is always unoccupied.

For diagnosis two Diagnosis-Buffers, that can have different lengths, are available. One Diagnosis-Buffer (D) is always assigned to the VPC3+C for sending. The other Diagnosis-Buffer (U) belongs to the user for preprocessing new diagnosis data.

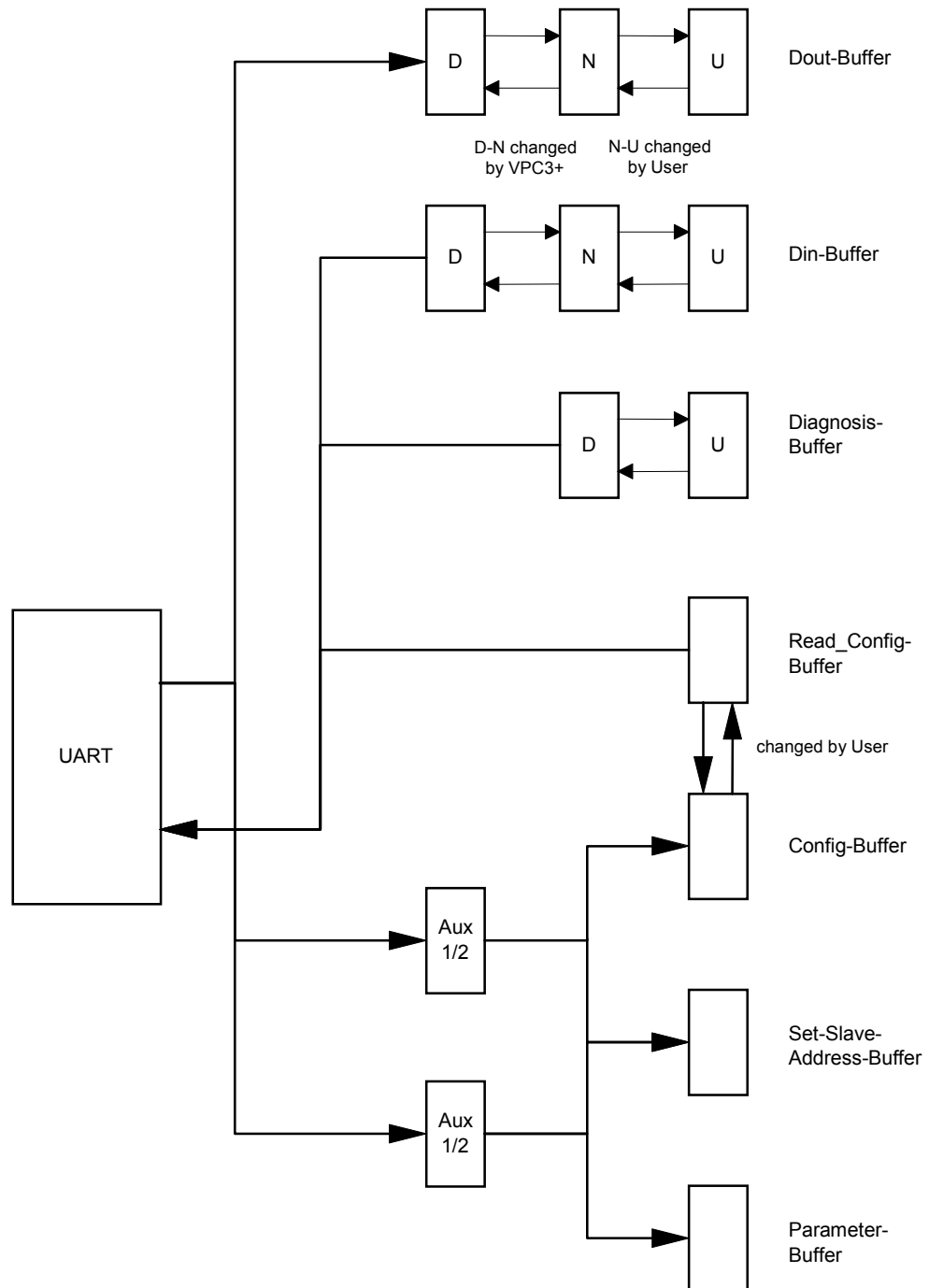


Figure 6-1: DP_SAP Buffer Structure

The VPC3+C first stores the parameter telegrams (Set_Slave_Add and Set_(Ext)_Prm) and the configuration telegram (Chk_Cfg) in Aux-Buffer 1 or Aux-Buffer 2. If the telegrams are error-free, data is exchanged with the corresponding target buffer (Set_Slave_Add-Buffer, Parameter-Buffer and Config-Buffer). Each of the buffers to be exchanged must have the same length. In the R_Aux_Buf_Sel parameter cell (see Figure 6-2) the user defines which Aux_buffers are to be used for the telegrams mentioned

above. The Aux-Buffer 1 must always be available, Aux-Buffer 2 is optional. If the data profiles of these DP telegrams are very different (for example the length of the Set_Prm telegram is significantly larger than the length of the other telegrams) it is suggested to make an Aux-Buffer 2 available (R_Aux_Buf_Sel: Set_Prm = 1) for this telegram. The other telegrams are then read via Aux-Buffer 1 (R_Aux_Buf_Sel: Set_Slave_Adr = 0, Chk_Cfg = 0). If the buffers are too small, the VPC3+C responds with “no resources” (RR)!

Address	Bit Position								Designation
	7	6	5	4	3	2	1	0	
2AH	0	0	0	0	0	Set_Slave_Adr	Chk_Cfg	Set_Prm	R_Aux_Buf_Sel See below for coding

R_Aux_Buf_Sel, Address 2AH:	
bit 7-3	Don't Care: Read as '0'
bit 2	Set_Slave_Adr: Set Slave Address 0 = Aux-Buffer 1 1 = Aux-Buffer 2
bit 1	Chk_Cfg: Check Configuration 0 = Aux-Buffer 1 1 = Aux-Buffer 2
bit 0	Set_Prm: Set (Extended) Parameter 0 = Aux-Buffer 1 1 = Aux-Buffer 2

Figure 6-2: Aux-Buffer Management

The user makes the configuration data (Get_Cfg) available in the Read_Config-Buffer for reading. The Read_Config-Buffer must have the same length as the Config-Buffer.

The RD_Input telegram is serviced from the Din-buffer in the 'D' state and the RD_Output telegram is serviced from the Dout-Buffer in the 'U' state.

All buffer pointers are 8-bit segment addresses, because the VPC3+C have only 8-bit address registers internally. For a RAM access, VPC3+C adds an 8-bit offset address to the segment address shifted by 4 bits (result: 12-bit physical address) in case of 4K Byte RAM or shifted by 3 bits (result: 11-bit physical address) in case of 2K Byte RAM. With regard to the buffer start addresses, this specification results either in a 16-byte or in an 8-byte granularity.

6.2 Description of the DP Services

6.2.1 Set_Slave_Add (SAP 55)

Sequence for the Set_Slave_Add service

The user can disable this service by setting 'R_SSA_Puf_Ptr = 00H'. The Station_Address must then be determined, for example, by reading a DIP-switch or an EEPROM and writing the address in the RAM cell R_TS_Adr.

There must be a non-volatile memory available (for example an external EEPROM) to support this service. It must be possible to store the Station_Address and the Real_No_Add_Change ('True' = FFH) parameter in this EEPROM. After each restart caused by a power failure, the user must read these values from the EEPROM again and write them to the R_TS_Adr und R_Real_No_Add_Change RAM registers.

If SAP55 is enabled and the Set_Slave_Add telegram is received correctly, the VPC3+C enters the pure data in the Aux-Buffer 1/2, exchanges the Aux-Buffer 1/2 for the Set_Slave_Add-Buffer, stores the entered data length in R_Len_SSA_Data, generates the New_SSA_Data interrupt and internally stores the New_Slave_Add as Station_Address and the No_Add_Chg as Real_No_Add_Chg. The user does not need to transfer this changed parameter to the VPC3+C again. After reading the buffer, the user generates the SSA_Buffer_Free_Cmd (read operation on address 14H). This makes the VPC3+C ready again to receive another Set_Slave_Add telegram (for example, from a different DP-Master).

The VPC3+C reacts automatically to errors.

Address	Bit Position								Designation
	7	6	5	4	3	2	1	0	
14H	0	0	0	0	0	0	0	0	SSA_Buf_Free_Cmd

SSA_Buf_Free_Cmd, Address 14H:	
bit 7-0	Don't care: Read as '0'

Figure 6-3: Coding of SSA_Buffer_Free_Command

Structure of the Set_Slave_Add Telegram

The net data are stored as follows in the SSA buffer:

Byte	Bit Position								Designation
	7	6	5	4	3	2	1	0	
0									New_Slave_Address
1									Ident_Number_High
2									Ident_Number_Low
3									No_Add_Chg
4 : 243									Rem_Slave_Data additional application specific data

Figure 6-4: Structure of the Set_Slave_Add Telegram

6.2.2 Set_Prm (SAP 61)

Parameter Data Structure

The VPC3+C evaluates the first seven data bytes (without User_Prm_Data), or the first eight data bytes (with User_Prm_Data). The first seven bytes are specified according to the standard. The eighth byte is used for VPC3+C specific characteristics. The additional bytes are available to the application.



If a PROFIBUS DP extension shall be used, the bytes 7-9 are called DPV1_Status and must be coded as described in section 7, “PROFIBUS DP Extensions”. Generally it is recommended to start the User_Prm_Data first with byte 10.

6 PROFIBUS DP Interface

Byte	Bit Position								Designation
	7	6	5	4	3	2	1	0	
0	Lock_Req	Unlock_Req	Sync_Req	Freeze_Req	WD_On	Reserved	Reserved	Reserved	Station Status
1									WD_Fact_1
2									WD_Fact_2
3									minT _{SDR}
4									Ident_Number_High
5									Ident_Number_Low
6									Group_Ident
7	DPV1_Enable	Fail_Safe	Publisher_Enable	0	0	WD_Base	Dis_Stop_Control	Dis_Start_Control	Spec_User_Prm_Byte / DPV1_Status_1
8									DPV1_Status_2
9									DPV1_Status_3
10 : 243									User_Prm_Data

Figure 6-5: Format of the Set_Prm Telegram

Spec_User_Prm_Byte / DPV1_Status_1:	
bit 7	DPV1_Enable: 0 = DP-V1 extensions disabled (default) 1 = DP-V1 extensions enabled
bit 6	Fail_Safe: 0 = Fail Safe mode disabled (default) 1 = Fail Safe mode enabled
bit 5	Publisher_Enable: 0 = Publisher function disabled (default) 1 = Publisher function enabled
bit 4-3	Reserved: To be parameterized with '0'
bit 2	WD_Base: Watchdog Time Base 0 = Watchdog time base is 10 ms (default) 1 = Watchdog time base is 1 ms
bit 1	Dis_Stop_Control: Disable Stop bit Control 0 = Stop bit monitoring in the receiver is enabled (default) 1 = Stop bit monitoring in the receiver is disabled
bit 0	Dis_Start_Control: Disable Start bit Control 0 = Start bit monitoring in the receiver is enabled (default) 1 = Start bit monitoring in the receiver is disabled

Figure 6-6: Spec_User_Prm_Byte / DPV1_Status_1



It is recommended not to use the DPV1_Status bytes (bytes 7-9) for user parameter data.

Parameter Data Processing Sequence

In the case of a positive validation of more than seven data bytes, the VPC3+C carries out the following reaction:

The VPC3+C exchanges Aux-Buffer 1/2 (all data bytes are entered here) for the Parameter-Buffer, stores the input data length in R_Len_Prm_Data and triggers the New_Prm_Data interrupt. The user must then check the User_Prm_Data and either reply with User_Prm_Data_Okay_Cmd or with User_Prm_Data_Not_Okay_Cmd. The entire telegram is entered in this buffer. The user parameter data are stored beginning with data byte 8, or with byte 10 if DPV1_Status bytes used.



The user response (User_Prm_Data_Okay_Cmd or User_Prm_Data_Not_Okay_Cmd) clears the New_Prm_Data interrupt. The user cannot acknowledge the New_Prm_Data interrupt in the IAR register.

With the User_Prm_Data_Not_Okay_Cmd message, relevant diagnosis bits are set and the DP_SM branches to WAIT-PRM.

The User_Prm_Data_Okay and User_Prm_Data_Not_Okay acknowledgements are read accesses to defined registers with the relevant signals:

- User_Prm_Finished: No additional parameter telegram is present.
- Prm_Conflict: An additional parameter telegram is present, processing again
- Not_Allowed: Access not permitted in the current bus state

Address	Bit Position								Designation
	7	6	5	4	3	2	1	0	
0EH	0	0	0	0	0	0	↓	↓	User_Prm_Data_Okay
							0	0	User_Prm_Finished
							0	1	Prm_Conflict
							1	1	Not_Allowed

Address	Bit Position								Designation
	7	6	5	4	3	2	1	0	
0FH	0	0	0	0	0	0	↓	↓	User_Prm_ Data_Not_Okay
							0	0	User_Prm_Finished
							0	1	Prm_Conflict
							1	1	Not_Allowed

Figure 6-7: Coding of User_Prm_(Not)_Okay_Cmd

If another Set_Prm telegram is supposed to be received in the meantime, the signal Prm_Conflict is returned for the positive or negative acknowledgement of the first Set_Prm telegram. Then the user must repeat the validation because the VPC3+C has made a new Parameter-Buffer available.

6.2.3 Chk_Cfg (SAP 62)

The user checks the correctness of the configuration data. After receiving an error-free Chk_Cfg telegram, the VPC3+C exchanges the Aux-Buffer 1/2 (all data bytes are entered here) for the Config-Buffer, stores the input data length in R_Len_Cfg_Data and generates the New_Cfg_Data interrupt.

Then the user has to check the User_Config_Data and either respond with User_Cfg_Data_Okay_Cmd or with User_Cfg_Data_Not_Okay_Cmd. The pure data is entered in the buffer in the format of the standard.



The user response (User_Cfg_Data_Okay_Cmd or the User_Cfg_Data_Not_Okay_Cmd response) clears the New_Cfg_Data interrupt. The user cannot acknowledge the New_Cfg_Data in the IAR register.

If an incorrect configuration is reported, several diagnosis bits are changed and the VPC3+C branches to state WAIT-PRM.

For a correct configuration, the transition to DATA-EXCH takes place immediately, if trigger counters for the parameter telegrams and configuration telegrams are at 0. When entering into DATA-EXCH, the VPC3+C also generates the Go/Leave_DATA-EXCH Interrupt.

If the received configuration data from the Config-Buffer is supposed to result in a change to the Read_Config-Buffer (contains the data for the Get_Cfg telegram), the user have to make the new Read_Config data available in the Read_Config-Buffer before the User_Cfg_Data_Okay_Cmd acknowledgement, that is the user has to copy the new configuration data into the Read_Config-Buffer.

During acknowledgement, the user receives information about whether there is a conflict or not. If another Chk_Cfg telegram was supposed to be

6 PROFIBUS DP Interface

received in the meantime, the user receives the Cfg_Conflict signal during the positive or negative acknowledgement of the first Chk_Cfg telegram. Then the user must repeat the validation, because the VPC3+C have made a new Config-Buffer available.

The User_Cfg_Data_Okay_Cmd and User_Cfg_Data_Not_Okay_Cmd acknowledgements are read accesses to defined memory cells with the relevant Not_Allowed, User_Cfg_Finished, or Cfg_Conflict signals.



If the New_Prm_Data and New_Cfg_Data are supposed to be present simultaneously during start-up, the user must maintain the Set_Prm and then the Chk_Cfg acknowledgement sequence.

Address	Bit Position								Designation
	7	6	5	4	3	2	1	0	
10H	0	0	0	0	0	0	↓	↓	User_Cfg_Data_Okay
							0	0	User_Cfg_Finished
							0	1	Cfg_Conflict
							1	1	Not_Allowed

Address	Bit Position								Designation
	7	6	5	4	3	2	1	0	
11H	0	0	0	0	0	0	↓	↓	User_Cfg_Data_Not_Okay
							0	0	User_Cfg_Finished
							0	1	Cfg_Conflict
							1	1	Not_Allowed

Figure 6-8: Coding of User_Cfg_(Not)_Okay_Cmd

6.2.4 Slave_Diag (SAP 60)

Diagnosis Processing Sequence

Two buffers are available for diagnosis. These two buffers can have different lengths. One Diagnosis-Buffer, which is sent on a diagnosis request, is always assigned to the VPC3+C. The user can pre-process new diagnosis data in the other buffer parallel. If the new diagnosis data are to be sent, the user issues the New_Diag_Cmd to make the request to exchange the Diagnosis-Buffers. The user receives confirmation of the buffer exchange with the Diag_Buffer_Changed interrupt.

When the buffers are exchanged, the internal Diag_Flag is also set. For an activated Diag_Flag, the VPC3+C responds during the next

Data_Exchange with high-priority response data. That signals the DP-Master that new diagnosis data are present at the DP-Slave. The DP-Master then fetches the new diagnosis data with a Slave_Diag telegram. Then the Diag_Flag is cleared again. However, if the user signals 'Diag.Stat_Diag = 1' (that is static diagnosis, see the structure of the Diagnosis-Buffer), the Diag_Flag still remains activated after the relevant DP-Master has fetched the diagnosis. The user can poll the Diag_Flag in the Status Register to find out whether the DP-Master has already fetched the diagnosis data before the old data is exchanged for the new data.



According to IEC 61158, Static Diagnosis should only be used during start-up.

Status coding for the diagnosis buffers is stored in the Diag_Buffer_SM control parameter. The user can read this cell with the possible codings for both buffers: User, VPC3+, or VPC3+_Send_Mode.

Address	Bit Position								Designation
	7	6	5	4	3	2	1	0	
0CH	0	0	0	0	Diag_Buf2		Diag_Buf1		Diag_Buffer_SM

Diag_Buffer_SM, Address 0CH:	
bit 7-4	Don't care: Read as '0'
bit 3-2	Diag_Buf2: Assignment of Diagnosis Buffer 2 00 = Nil 01 = User 10 = VPC3+ 11 = VPC3_Send_Mode
bit 1-0	Diag_Buf1: Assignment of Diagnosis Buffer 1 00 = Nil 01 = User 10 = VPC3+ 11 = VPC3_Send_Mode

Figure 6-9: Diagnosis Buffer Assignment

The New_Diag_Cmd is also a read access to a defined control parameter indicating which Diagnosis-Buffer belongs to the user after the exchange or whether both buffers are currently assigned to the VPC3+C (No_Buffer, Diag_Buf1, Diag_Buf2).

6 PROFIBUS DP Interface

Address	Bit Position								Designation
	7	6	5	4	3	2	1	0	
0DH	0	0	0	0	0	0	↓	↓	New_Diag_ Buffer_Cmd
							0	0	No_Buffer
							0	1	Diag_Buf1
							1	0	Diag_Buf2

Figure 6-10: Coding of New_Diag_Cmd

Byte	Bit Position								Designation
	7	6	5	4	3	2	1	0	
0						Ext_Diag_Overflow	Stat_Diag	Ext_Diag	
1									
2									
3									
4									
5									
6 : n	user input								Ext_Diag_Data (n = max. 243)

Figure 6-11: Format of the Diagnosis-Buffer

The Ext_Diag_Data must be entered into the buffers after the VPC3+C internal diagnosis data. Three different formats are possible here: device-related, ID-related and port-related. If PROFIBUS DP extensions shall be used, the device-related diagnosis is substituted by alarm and status messages. In addition to the Ext_Diag_Data, the buffer length also includes the VPC3+C diagnosis bytes (R_Len_Diag_Buf 1, R_Len_Diag_Buf 2).

6.2.5 Write_Read_Data / Data_Exchange (Default_SAP)

Writing Outputs

The VPC3+C writes the received output data in the 'D' buffer. After an error-free receipt, the VPC3+C shifts the newly filled buffer from 'D' to 'N'. In addition, the DX_Out interrupt is generated. The user now fetches the current output data from 'N'. The buffer changes from 'N' to 'U' with the Next_Dout_Buffer_Cmd, so that the current data can be transmitted to the application by a RD_Output request from a DP-Master.

If the user's evaluation cycle time is shorter than the bus cycle time, the user does not find any new buffers with the next Next_Dout_Buffer_Cmd in 'N'. Therefore, the buffer exchange is omitted. At a 12 Mbit/s baud rate, it is more likely, however, that the user's evaluation cycle time is larger than the bus cycle time. This makes new output data available in 'N' several times before the user fetches the next buffer. It is guaranteed, however, that the user receives the data last received.

For power-on, LEAVE-MASTER and the Global_Control telegram with 'Clear_Data = 1', the VPC3+C deletes the 'D' buffer and then shifts it to 'N'. This also takes place during power-up (entering the WAIT-PRM state). If the user fetches this buffer, he receives U_Buffer_Cleared during the Next_Dout_Buffer_Cmd. If the user is supposed to enlarge the output data buffer after the Chk_Cfg telegram, the user must delete this deviation in the 'N' buffer himself (possible only during the start-up phase in the WAIT-CFG state).

If 'Diag.Sync_Mode = 1', the 'D' buffer is filled but not exchanged with the Data_Exchange telegram. It is exchanged at the next Sync or Unsync command sent by Global_Control telegram.

Address	Bit Position								Designation
	7	6	5	4	3	2	1	0	
0AH	F		U		N		D		Dout_Buffer_SM

Dout_Buffer_SM, Address 0AH:	
bit 7-6	F: Assignment of the F-Buffer 00 = Nil 01 = Dout_Buf_Ptr1 10 = Dout_Buf_Ptr2 11 = Dout_Buf_Ptr3
bit 5-4	U: Assignment of the U-Buffer 00 = Nil 01 = Dout_Buf_Ptr1 10 = Dout_Buf_Ptr2 11 = Dout_Buf_Ptr3
bit 3-2	N: Assignment of the N-Buffer 00 = Nil 01 = Dout_Buf_Ptr1 10 = Dout_Buf_Ptr2 11 = Dout_Buf_Ptr3
bit 1-0	D: Assignment of the D-Buffer 00 = Nil 01 = Dout_Buf_Ptr1 10 = Dout_Buf_Ptr2 11 = Dout_Buf_Ptr3

Figure 6-12: Dout-Buffer Management

6 PROFIBUS DP Interface

When reading the Next_Dout_Buffer_Cmd the user gets the information which buffer ('U' buffer) belongs to the user after the change, or whether a change has taken place at all.

Address	Bit Position								Designation
	7	6	5	4	3	2	1	0	
0BH	0	0	0	0	U_Buffer_Cleared	State_U_Buffer	Ind_U_Buffer		Next_Dout_Buf_Cmd See coding below

Next_Dout_Buf_Cmd, Address 0BH:	
bit 7-4	Don't care: Read as '0'
bit 3	U_Buffer_Cleared: User-Buffer-Cleared Flag 0 = U buffer contains data 1 = U buffer is cleared
bit 2	State_U_Buffer: State of the User-Buffer 0 = no new U buffer 1 = new U buffer
bit 1-0	Ind_U_Buffer: Indicated User-Buffer 01 = Dout_Buf_Ptr1 10 = Dout_Buf_Ptr2 11 = Dout_Buf_Ptr3

Figure 6-13: Coding of Next_Dout_Buf_Cmd

The user must clear the 'U' buffer during initialization so that defined (cleared) data can be sent for a RD_Output telegram before the first data cycle.

Reading Inputs

The VPC3+C sends the input data from the 'D' buffer. Prior to sending, the VPC3+C fetches the Din-Buffer from 'N' to 'D'. If no new buffer is present in 'N', there is no change.

The user makes the new data available in 'U'. With the New_Din_Buffer_Cmd, the buffer changes from 'U' to 'N'. If the user's preparation cycle time is shorter than the bus cycle time, not all new input data are sent, but just the most current. At a 12 Mbit/s baud rate, it is more likely, however, that the user's preparation cycle time is larger than the bus cycle time. Then the VPC3+C sends the same data several times in succession.

During start-up, the VPC3+C does not go to DATA-EXCH before all parameter telegrams and configuration telegrams have been acknowledged.

If 'Diag.Freeze_Mode = 1', there is no buffer change prior to sending.

The user can read the status of the state machine cell with the following codings for the four states: Nil, Dout_Buf_Ptr1, Dout_Buf_Ptr2 and Dout_Buf_Ptr3. The pointer for the current data is in the 'N' state.

Address	Bit Position								Designation
	7	6	5	4	3	2	1	0	
08H	F		U		N		D		Din_Buffer_SM

Din_Buffer_SM, Address 08H:	
bit 7-6	F: Assignment of the F-Buffer 00 = Nil 01 = Din_Buf_Ptr1 10 = Din_Buf_Ptr2 11 = Din_Buf_Ptr3
bit 5-4	U: Assignment of the U-Buffer 00 = Nil 01 = Din_Buf_Ptr1 10 = Din_Buf_Ptr2 11 = Din_Buf_Ptr3
bit 3-2	N: Assignment of the N-Buffer 00 = Nil 01 = Din_Buf_Ptr1 10 = Din_Buf_Ptr2 11 = Din_Buf_Ptr3
bit 1-0	D: Assignment of the D-Buffer 00 = Nil 01 = Din_Buf_Ptr1 10 = Din_Buf_Ptr2 11 = Din_Buf_Ptr3

Figure 6-14: Din-Buffer Management

6 PROFIBUS DP Interface

Address	Bit Position								Designation
	7	6	5	4	3	2	1	0	
09H	0	0	0	0	0	0	↓	↓	New_Din_Buf_Cmd
							0	1	Din_Buf_Ptr1
							1	0	Din_Buf_Ptr2
							1	1	Din_Buf_Ptr3

Figure 6-15: Coding of New_Din_Buf_Cmd

User_Watchdog_Timer

After start-up (DATA-EXCH state), it is possible that the VPC3+C continually answers Data_Exchange telegrams without the user fetching the received Dout-Buffers or making new Din-Buffers available. If the user processor 'hangs up' the DP-Master would not receive this information. Therefore, a User_Watchdog_Timer is implemented in the VPC3+C.

This User_WD_Timer is an internal 16-bit RAM cell that is started from a user parameterized value R_User_WD_Value and is decremented by the VPC3+C with each received Data_Exchange telegram. If the timer reaches the value 0000H, the VPC3+C goes to the WAIT-PRM state and the DP_SM carries out a LEAVE-MASTER. The user must cyclically set this timer to its start value. Therefore, 'Res_User_WD = 1' must be set in Mode Register 1. Upon receipt of the next Data_Exchange telegram, the VPC3+C again loads the User_WD_Timer to the parameterized value R_User_WD_Value and sets 'Res_User_WD = 0' (Mode Register 1). During power-up, the user must also set 'Res_User_WD = 1', so that the User_WD_Timer is set to its parameterized value.

6.2.6 Global_Control (SAP 58)

The VPC3+C processes the Global_Control telegrams like already described.

The first byte of a valid Global_Control is stored in the R_GC_Command RAM cell. The second telegram byte (Group_Select) is processed internally.

The interrupt behavior regarding to the reception of a Global_Control telegram can be configured via bit 8 of Mode Register 2. The VPC3+C either generates the New_GC_Control interrupt after each receipt of a Global_Control telegram (default) or just in case if the Global_Control differs from the previous one.

The R_GC_Command RAM cell is not initialized by the VPC3+C. Therefore the cell has to be preset with 00H during power-up. The user can read and evaluate this cell.

In order to use Sync and Freeze, these functions must be enabled in the Mode Register 0.

Address	Bit Position								Designation
	7	6	5	4	3	2	1	0	
3CH	Reserved	Reserved	Sync	Unsync	Freeze	Unfreeze	Clear_Data	Reserved	R_GC_Command See below for coding

R_GC_Command, Address 3CH:	
bit 7-6	Reserved
bit 5	Sync: The output data transferred with a Data_Exchange telegram is changed from 'D' to 'N'. The following transferred output data is kept in 'D' until the next Sync command is given.
bit 4	Unsync: The Unsync command cancels the Sync command.
bit 3	Freeze: The input data is fetched from 'N' to 'D' and „frozen“. New input data is not fetched again until the DP-Master sends the next Freeze command.
bit 2	Unfreeze: The Unfreeze command cancels the Freeze command.
bit 1	Clear_Data: With this command, the output data is deleted in 'D' and is changed to 'N'.
bit 0	Reserved

Figure 6-16: Format of the Global_Control Telegram

6.2.7 RD_Input (SAP 56)

The VPC3+C fetches the input data like it does for the Data_Exchange telegram. Prior to sending, 'N' is shifted to 'D', if new input data are available in 'N'. For 'Diag.Freeze_Mode = 1', there is no buffer change.

6.2.8 RD_Output (SAP 57)

The VPC3+C fetches the output data from the Dout_Buffer in 'U'. The user must preset the output data with '0' during start-up so that no invalid data can be sent here. If there is a buffer change from 'N' to 'U' (through the

6 PROFIBUS DP Interface

Next_Dout_Buffer_Cmd) between the first call-up and the repetition, the new output data is sent during the repetition.

6.2.9 Get_Cfg (SAP 59)

The user makes the configuration data available in the Read_Config-Buffer. For a change in the configuration after the Chk_Cfg telegram, the user writes the changed data in the Config-Buffer, sets 'En_Change_Cfg_buffer = 1' (see Mode Register 1) and the VPC3+C then exchanges the Config-Buffer for the Read_Config-Buffer. If there is a change in the configuration data during operation (for example, for a modular DP systems), the user must return with Go_Offline command (see Mode Register 1) to WAIT-PRM.

7.1 Set_(Ext_)Prm (SAP 53 / SAP 61)

The PROFIBUS DP extensions require three bytes to implement the new parameterization function. The bits of the Spec_User_Prm_Byte are included.

Byte	Bit Position								Designation	
	7	6	5	4	3	2	1	0		
0 : 6										
7	DPV1_Enable	Fail_Safe	Publisher_Enable	Reserved	Reserved	WD_Base	Dis_Stop_Control	Dis_Start_Control		DPV1_Status_1
8	Enable_Pull_Plug_Alarm	Enable_Process_Alarm	Enable_Diagnostic_Alarm	Enable_Manufacturer_Specific_Alarm	Enable_Status_Alarm	Enable_Update_Alarm	0	Chk_Cfg_Mode		DPV1_Status_2
9	PrmCmd	0	0	IsoM_Req	Prm_Structure	Alarm_Mode				DPV1_Status_3
10 : 243										User_Prm_Data

Figure 7-1: Set_Prm with DPV1_Status bytes



If the extensions are used, the bit **Spec_Clear_Mode** in Mode Register 0 serves as **Fail_Safe_required**. Therefore it is used for a comparison with the bit **Fail_Safe** in parameter telegram. Whether the DP-Master support the **Fail_Safe** mode or not is indicated by the telegram bit. If the DP-Slave requires **Fail_Safe** but the DP-Master doesn't the **Prm_Fault** bit is set.

If the VPC3+C should be used for DXB, IsoM or redundancy mode, the parameterization data must be packed in a **Structured_Prm_Data** block to distinguish between the **User_Prm_Data**. The bit **Prm_Structure** indicates this.

If redundancy should be supported, the **PrmCmd_Supported** bit in Mode Register 0 must be set.

7 PROFIBUS DP Extensions

Byte	Bit Position								Designation
	7	6	5	4	3	2	1	0	
0									Structured_Length
1									Structure_Typ
2									Slot_Number
3									Reserved
4 : 243									User_Prm_Data

Figure 7-2 : Format of the Structured_Prm_Data block

Additional to the Set_Prm telegram (SAP 61) a Set_Ext_Prm (SAP 53) telegram can be used for parameterization. This service is only available in state WAIT-CFG after the reception of a Set_Prm telegram and before the reception of a Chk_Cfg telegram. The new Set_Ext_Prm telegram simply consists of Structured_Prm_Data blocks.

The new service uses the same buffer handling as described by Set_Prm. By means of the New_Ext_Prm_Data interrupt the user can recognize which kind of telegram is entered in the Parameter-Buffer. Additionally the SAP 53 must be activated by Set_Ext_Prm_Supported bit in Mode Register 0.



The Aux-Buffer for the Set_Ext_Prm is the same as the one for Set_Prm and have to be different from the Chk_Cfg Aux-Buffer. Furthermore the Spec_Prm_Buf_Mode in Mode Register 0 must not be used together with SAP 53.

7.2 PROFIBUS DP-V1

7.2.1 Acyclic Communication Relationships

The VPC3+C supports acyclic communication as described in the DP-V1 specification. Therefore a memory area is required which contains all SAPs needed for the communication. The user must do the initialization of this area (SAP-List) in Offline state. Each entry in the SAP-List consists of 7 bytes. The pointer at address 17H contains the segment base address of the first element of the SAP-List. The last element in the list is always indicated with FFH. If the SAP-List shall not be used, the first entry must be FFH, so the pointer at address 17H must point to a segment base address location that contains FFH.

The new communication features are enabled with DPV1_Enable in the Set_Prm telegram.

Byte	Bit Position								Designation
	7	6	5	4	3	2	1	0	
0	Response_Sent	SAP_Number							SAP_Number
1									Request_SA
2									Request_SSAP
3									Service_Supported
4									Ind_Buf_Ptr[0]
5									Ind_Buf_Ptr[1]
6									Resp_Buf_Ptr

SAP-List entry:	
Byte 0	Response_Sent: Response-Buffer sent 0 = no Response sent 1 = Response sent SAP_Number: 0 – 51
Byte 1	Request_SA: The source address of a request is compared with this value. At differences, the VPC3+C response with “no service activated” (RS). The default value for this entry is 7FH.
Byte 2	Request_SSAP: The source SAP of a request is compared with this value. At differences, the VPC3+C response with “no service activated” (RS). The default value for this entry is 7FH.
Byte 3	Service_Supported: Indicates the permitted FDL service. 00 = all FDL services allowed
Byte 4	Ind_Buf_Ptr[0]: pointer to Indication-Buffer 0
Byte 5	Ind_Buf_Ptr[1]: pointer to Indication-Buffer 1
Byte 6	Resp_Buf_Ptr: pointer to Response-Buffer

Figure 7-3: SAP-List entry

In addition an Indication- and Response-Buffer are needed. Each buffer consists of a 4-byte header for the buffer management and a data block of configurable length.

7 PROFIBUS DP Extensions

Byte	Bit Position								Designation
	7	6	5	4	3	2	1	0	
0	USER	IND	RESP	INUSE					Control
1									Max_Length
2									Length
3									Function Code

SAP-List entry:	
Byte 0	Control: bits for buffer management USER buffer assigned to user IND indication data included in buffer RESP response data included in buffer INUSE buffer assigned to VPC3+C
Byte 1	Max_Length: length of buffer
Byte 2	Length: length of data included in buffer
Byte 3	Function Code: function code of the telegram

Figure 7-4: Buffer Header

Processing Sequence

A received telegram is compared with the values in the SAP-List. If this check is positive, the telegram is stored in an Indication-Buffer with the INUSE bit set. In case of any deviations the VPC3+C responds with “no service activated” (RS) or if no free buffer is available with “no resource” (RR). After finishing the processing of the incoming telegram, the INUSE bit is reset and the bits USER and IND are set by VPC3+C. Now the FDL_Ind interrupt is generated. Polling telegrams do not produce interrupts. The RESP bit indicates response data, provided by the user in the Response-Buffer. The Poll_End_Ind interrupt is set after the Response-Buffer is sent. Also bits RESP and USER are cleared.

DP-Master	PROFIBUS	DP-Slave
	Request to acyclic SAP ->	fill Indication-Buffer
	<- short acknowledgement (SC)	
	Polling telegram to acyclic SAP ->	process data
	<- short acknowledgement (SC)	
	:	
	:	
	:	update Response- Buffer
	Polling telegram to acyclic SAP ->	
	<- Response from acyclic	

Figure 7-5: acyclic communication sequence

VPC3+C	Firmware
set Request_SA / Request_SSA set INUSE in Control of Ind_Buf write data in Ind_Buf clear INUSE and set USER and IND in Control of Ind_Buf set FDL_Ind interrupt	clear FDL_Ind interrupt search for Ind_Buf with IND = 1 read Ind_Buf clear IND in Control of Ind_Buf write Response in Resp_Buf set RESP in Control of Resp_Buf
check on RESP = 1 read Resp_Buf clear RESP and USER in Control of Resp_Buf set Response_Sent set Poll_End_Ind interrupt	clear Poll_End_Ind interrupt search for SAP with Response_Sent = 1 clear Response_Sent

Figure 7-6: FDL-Interface of VPC3+C (e.g. same Buffer for Indication and Response)

7.2.2 Diagnosis Model

The format of the device related diagnosis data depends on the GSD keyword DPV1_Slave in the GSD. If 'DPV1_Slave = 1', alarm and status messages are used in diagnosis telegrams. Status messages are required by the Data eXchange Broadcast service, for example. Alarm_Ack is used as the other acyclic services.

7.3 PROFIBUS DP-V2

7.3.1 DXB (Data eXchange Broadcast)

The DXB mechanism enables a fast slave-to-slave communication. A DP-Slave that holds input data significant for other DP-Slaves, works as a Publisher. The Publisher can handle a special kind of Data_Exchange request from the DP-Master and sends its answer as a broadcast telegram. Other DP-Slaves that are parameterized as Subscribers can monitor this telegram. A link is opened to the Publisher if the address of the Publisher is registered in the linktable of the Subscriber. If the link have been established correctly, the Subscriber can fetch the input data from the Publisher.

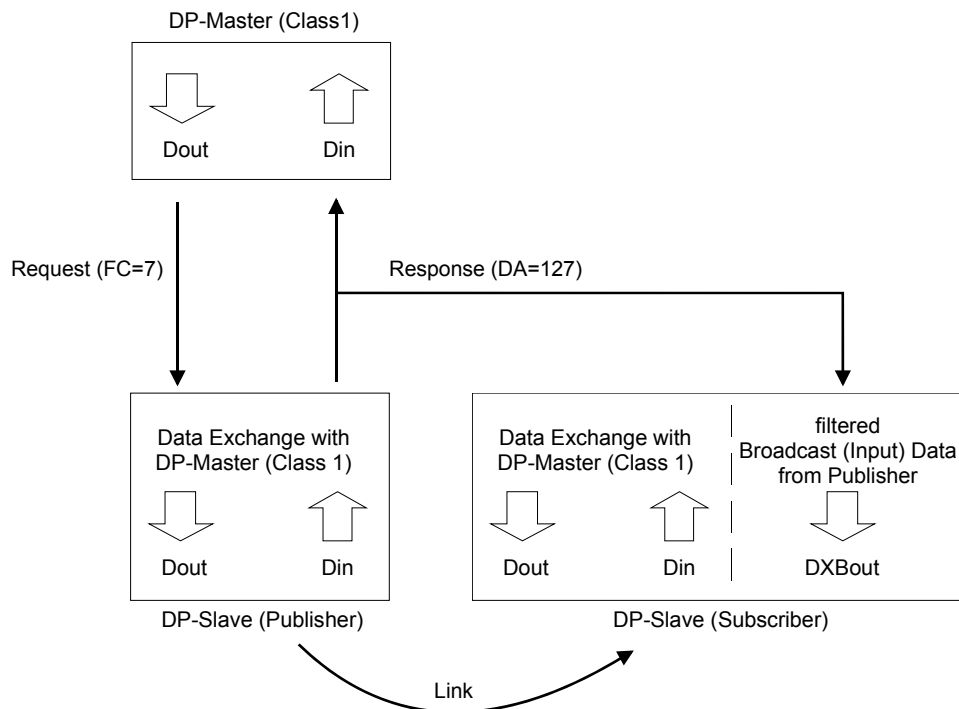


Figure 7-7 : Overview DXB

The VPC3+C can handle a maximum of 29 links simultaneously.

Publisher

A Publisher is activated with 'Publisher_Enable = 1' in DPV1_Status_1. The time $\min T_{SDR}$ must be set to ' $T_{ID1} = 37 t_{bit} + 2 T_{SET} + T_{QUI}$ '.

All Data_Exchange telegrams containing the function code 7 (Send and Request Data Multicast) are responded with destination address 127. If Publisher mode is not enabled, these requests are ignored.

Subscriber

A Subscriber requires information about the links to its Publishers. These settings are contained in a DXB Linktable or DXB Subscribortable and transferred via the Structured_Prm_Data in a Set_Prm or Set_Ext_Prm telegram. Each Structured_Prm_Data is treated like the User_Prm_Data and therefore evaluated by the user. From the received data the user must generate DXB_Link_Buf and DXB_Status_Buf entries. The watchdog must be enabled to make use of the monitoring mechanism. The user must check this.

Byte	Bit Position								Designation
	7	6	5	4	3	2	1	0	
0									Structured_Length
1	0	0	0	0	0	0	1	1	Structure_Type
2	0	0	0	0	0	0	0	0	Slot_Number
3	0	0	0	0	0	0	0	0	Reserved
4	0	0	0	0	0	0	0	1	Version
5									Publisher_Addr
6									Publisher_Length
7									Sample_Offset
8									Sample_Length
9 : 120									further link entries

**Figure 7-8: Format of the Structured_Prm_Data with DXB Linktable
(specific link is grey scaled)**

7 PROFIBUS DP Extensions

Byte	Bit Position								Designation
	7	6	5	4	3	2	1	0	
0									Structured_Length
1	0	0	0	0	0	1	1	1	Structure_Type
2	0	0	0	0	0	0	0	0	Slot_Number
3	0	0	0	0	0	0	0	0	Reserved
4	0	0	0	0	0	0	0	1	Version
5									Publisher_Addr
6									Publisher_Length
7									Sample_Offset
8									Dest_Slot_Number
9									Offset_Data_Area
10									Sample_Length
11 : 120									further link entries

Figure 7-9: Format of the Structured_Prm_Data with DXB Subscribable
(specific link is grey scaled)

The user must copy the link entries of DXB Linktable or DXB Subscribable, without Dest_Slot_Number and Offset_Data_Area, in the DXB_Link_Buf and set R_Len_DXB_Link_Buf. Also the user must enter the default status message in DXB_Status_Buf with the received links and write the appropriate values to R_Len_DXB_Status_Buf. After that, the parameterization interrupt can be acknowledged.

Byte	Bit Position								Designation
	7	6	5	4	3	2	1	0	
0	0	0	Block_Length						Header_Byte
1	1	0	0	0	0	0	1	1	Status_Type
2	0	0	0	0	0	0	0	0	Slot_Number
3	0	0	0	0	0	0	0	0	Status_Specifier
4									Publisher_Addr
5	Link_Status	Link_Error	0	0	0	0	0	Data_Exist	Link_Status
6 : 61									further link entries

Link_Status:	
bit 7	Link_Status : 1 = active, valid data receipt during last monitoring period 0 = not active, no valid data receipt during last monitoring period (DEFAULT)
bit 6	Link_Error: 0 = no faulty Broadcast data receipt (DEFAULT) 1 = wrong length, error occurred by reception
bit 0	Data_Exist: 0 = no correct Broadcast data receipt during current monitoring period (DEFAULT) 1 = error free reception of Broadcast data during current monitoring period

Figure 7-10: DXB_Link_Status_Buf (specific link is grey scaled)

Processing Sequence

The VPC3+C processes DXBout-Buffers like the Dout-Buffers. The only difference is that the DXBout-Buffers are not cleared by the VPC3+C.

The VPC3+C writes the received and filtered broadcast data in the 'D' buffer. The buffer contains also the Publisher_Address and the Sample_Length. After error-free receipt, the VPC3+C shifts the newly filled buffer from 'D' to 'N'. In addition, the DXBout interrupt is generated. The user now fetches the current output data from 'N'. The buffer changes from 'N' to 'U' with the Next_DXBout_Buffer_Cmd.

7 PROFIBUS DP Extensions

Byte	Bit Position								Designation
	7	6	5	4	3	2	1	0	
0									Publisher_Addr
1									Sample_Length
2 : 246									Sample_Data

Figure 7-11: DXBout-Buffer

When reading the Next_DXBout_buffer_Cmd the user gets the information which buffer ('U' buffer) is assigned to the user after the change, or whether a change has taken place at all.

Address	Bit Position								Designation
	7	6	5	4	3	2	1	0	
12H	F		U		N		D		DXBout_Buffer_SM

DXBout_Buffer_SM, Address 0AH:	
bit 7-6	F: Assignment of the F-Buffer 00 = Nil 01 = DXBout_Buf_Ptr1 10 = DXBout_Buf_Ptr2 11 = DXBout_Buf_Ptr3
bit 5-4	U: Assignment of the U-Buffer 00 = Nil 01 = DXBout_Buf_Ptr1 10 = DXBout_Buf_Ptr2 11 = DXBout_Buf_Ptr3
bit 3-2	N: Assignment of the N-Buffer 00 = Nil 01 = DXBout_Buf_Ptr1 10 = DXBout_Buf_Ptr2 11 = DXBout_Buf_Ptr3
bit 1-0	D: Assignment of the D-Buffer 00 = Nil 01 = DXBout_Buf_Ptr1 10 = DXBout_Buf_Ptr2 11 = DXBout_Buf_Ptr3

Figure 7-12: DXBout-Buffer Management

Address	Bit Position								Designation
	7	6	5	4	3	2	1	0	
13H	0	0	0	0	0	State_U_ Buffer	Ind_U_ Buffer	Next_DXBout_ Buf_Cmd	
									See coding below

Next_DXBout_Buf_Cmd, Address 0BH:	
bit 7-3	Don't care: Read as '0'
bit 2	State_U_Buffer: State of the User-Buffer 0 = no new U buffer 1 = new U buffer
bit 1-0	Ind_U_Buffer: Indicated User-Buffer 01 = DXBout_Buf_Ptr1 10 = DXBout_Buf_Ptr2 11 = DXBout_Buf_Ptr3

Figure 7-13: Coding of Next_DXBout_Buf_Cmd

Monitoring

After receiving the DXB data the Link_Status in DXB_Status_Buf of the concerning Publisher is updated. In case of an error the bit Link_Error is set. If the processing is finished without errors, the bit Data_Exist is set.

In state DATA-EXCH the links are monitored in intervals defined by the parameterized watchdog time. After the monitoring time runs out, the VPC3+C evaluates the Link_Status of each Publisher and updates the bit Link_Status. The timer restarts again automatically.

Event	Link_Status	Link_Error	Data_Exist
valid DXB data receipt		0	1
faulty DXB data receipt	0	1	0
WD_Time elapsed AND Data_Exist = 1	1	0	0
WD_Time elapsed AND Link_Error = 1	0	0	0

Figure 7-14: Link_Status handling



To enable the monitoring of Publisher-Subscriber links the watchdog timer must be enabled in the Set_Prm telegram. The user must check this.

7 PROFIBUS DP Extensions

7.3.2 IsoM (Isochron Mode)

The IsoM synchronizes DP-Master, DP-Slave and DP-Cycle. The isochron cycle time starts with the transmission of the SYNCH telegram by the IsoM master. If the VPC3+C supports the IsoM, a synchronization signal at Pin 13 (XDATAEXCH/SYNC) is generated by each reception of a SYNCH telegram. The SYNCH telegram is a special coded Global_Control request.

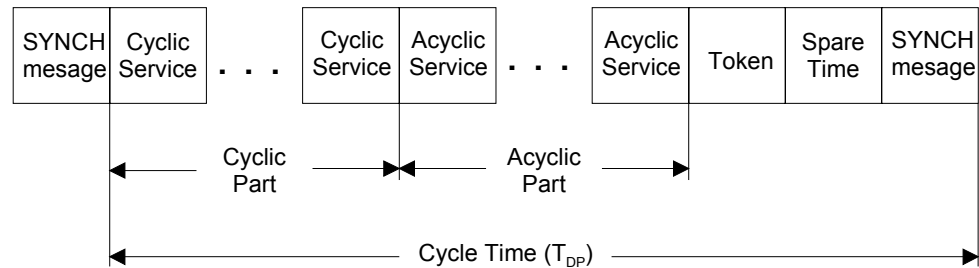


Figure 7-15: Telegram sequences in IsoM with one DP-Master (Class 1)

Two operation modes for cyclic synchronization are available in the VPC3+C:

1. Isochron Mode: Each SYNCH telegram causes an impulse on the SYNC output and a New_GC_Command interrupt.
2. Simple Sync Mode: A Data_Exchange telegram no longer causes a DX_Out interrupt immediately, rather the event is stored in a flag. By a following SYNCH message reception, the DX_Out interrupt and a synchronization signal are generated at the same time. Additionally a New_GC_Command interrupt is produced, as the SYNCH telegram behaves like a regular Global_Control telegram to the DP state machine. If no Data_Exchange telegram precedes the SYNCH telegram, only the New_GC_Command interrupt is generated.

Byte	Bit Position								Designation
	7	6	5	4	3	2	1	0	
0	0	0						0	Control_Command
1	Group_8 = 1								Group_Select

Figure 7-16: IsoM SYNCH telegram

Each Global_Control is compared with the values that can be adjusted in Control_Command_Reg (0Eh) and Group_Select_Reg (0Fh). If the values are equal a SYNCH telegram will be detected.

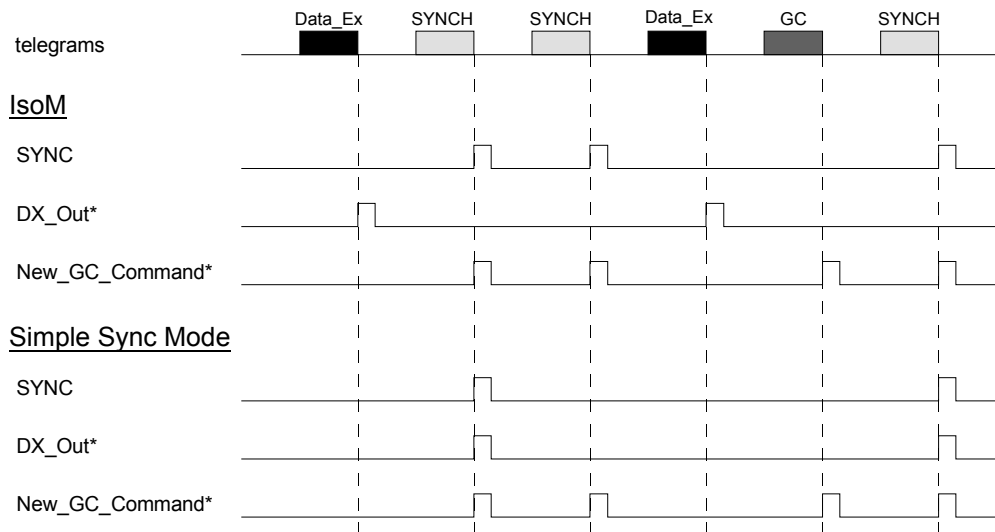


Figure 7-17: SYNC-signal and interrupts for synchronization modes (picture only shows the effects by reception of telegrams; time between telegrams is not equal)

Isochron Mode

To enable the Isochron Mode in the VPC3+C, bit SYNC_Ena in Mode Register 2 must be set. Additionally the Spec_Clear_Mode in Mode Register 0 must be set. The polarity of the SYNC signal can be adjusted with the SYNC_Pol bit. The register Sync_PW contains a multiplier with the base of 1/12 μ s to adjust the SYNC pulse width. Settings in the Set_Prm telegram are shown below.



The Structured_Prm_Data block IsoM (Structure_Type = 4) is also required for the application. If it is sent by Set_Prm telegram the bit Prm_Structure must be set.

7 PROFIBUS DP Extensions

Byte	Bit Position								Designation
	7	6	5	4	3	2	1	0	
0			Sync_Req = 0	Freeze_Req = 0					Station_Status
1									WD_Fact_1
2									WD_Fact_2
3									minT _{SDR}
4									Ident_Number_High
5									Ident_Number_Low
6	Group_8 = 0								Group_Ident
7		Fail_Safe = 1							DPV1_Status_1
8									DPV1_Status_2
9				IsoM_Req = 1					DPV1_Status_3
10 : 246									User_Prm_Data

Figure 7-18: Format of Set_Prm telegram for IsoM

DP-Slave in a IsoM network

To enable cyclic synchronization via the 'Simple Sync Mode', the bit DX_Int_Port in Mode Register 2 have to be set. Bit SYNC_Ena must not be set. The settings of the pulse polarity are adjusted like described in the IsoM.

For the parameterization telegram the DP format is used. Though the DPV1_Status bytes 1-3 could be used as User_Prm_Data, it is generally recommended starting the User_Prm_Data at byte 10.

Byte	Bit Position								Designation
	7	6	5	4	3	2	1	0	
0			Sync_Req = depends on SYNCH-format	Freeze_Req = depends on SYNCH-format					Station_Status
1									WD_Fact_1
2									WD_Fact_2
3									minT _{SDR}
4									Ident_Number_High
5									Ident_Number_Low
6	Group_8 = 1								Group_Ident
7									DPV1_Status_1
8									DPV1_Status_2
9									DPV1_Status_3
10 : 246									User_Prm_Data

Figure 7-19: Format of Set_Prm for DP-Slave using isochrones cycles

In opposite to IsoM the DX_Out interrupt is generated first after the receipt of a SYNCH telegram. If no Data_Exchange telegram had been received before a SYNCH occurred, no synchronization signal is generated.



For this mechanism the interrupt controller ist used. Hence no signal will be generated, if the mask for DX_Out in the IMR is set. Since the synchronization signal is now the DX_Out interrupt, it remains until the interrupt acknowledge.

7 PROFIBUS DP Extensions

Notes:

8.1 Universal Processor Bus Interface

8.1.1 Overview

The VPC3+C has a parallel 8-bit interface with an 11-bit address bus. The VPC3+C supports all 8-bit processors and microcontrollers based on the 80C51/52 (80C32) from Intel, the Motorola HC11 family, as well as 8- /16-bit processors or microcontrollers from the Siemens 80C166 family, X86 from Intel and the HC16 and HC916 family from Motorola. Because the data formats from Intel and Motorola are not compatible, VPC3+C automatically carries out 'byte swapping' for accesses to the following 16-bit registers (Interrupt Register, Status Register and Mode Register 0) and the 16-bit RAM cell (R_User_WD_Value). This makes it possible for a Motorola processor to read the 16-bit value correctly. Reading or writing takes place, as usual, through two accesses (8-bit data bus).

The Bus Interface Unit (BIU) and the Dual Port RAM Controller (DPC) that controls accesses to the internal RAM belong to the processor interface of the VPC3+C.

The VPC3+C is supplied with a clock pulse rate of 48MHz. In addition, a clock divider is integrated. The clock pulse is divided by 2 (Pin: DIVIDER = '1') or 4 (Pin: DIVIDER = '0') and applied to the pin CLKOUT 2/4. This allows the connection of a slower controller without additional expenditures in a low-cost application.

8.1.2 Bus Interface Unit

The Bus Interface Unit (BIU) is the interface to the connected processor/microcontroller. This is a synchronous or asynchronous 8-bit interface with an 11-bit (12-bit in 4K Byte mode) address bus. The interface is configurable via 2 pins (XINT/MOT, MODE). The connected processor family (bus control signals such as XWR, XRD, or R_W and the data format) is specified with the XINT/MOT pin. Synchronous or asynchronous bus timing is specified with the MODE pin.

XINT/MOT	MODE	Processor Interface Mode
0	1	Synchronous Intel mode
0	0	Asynchronous Intel mode
1	0	Asynchronous Motorola mode
1	1	Synchronous Motorola mode

Figure 8-1: Configuration of the Processor Interface

Examples of various Intel system configurations are given in subsequent sections. The internal address latch and the integrated decoder must be

8 Hardware Interface

used in the synchronous Intel mode. One figure shows the minimum configuration of a system with the VPC3+C, where the chip is connected to an EPROM version of the controller. Only a clock generator is necessary as an additional device in this configuration. If a controller is to be used without an integrated program memory, the addresses must be latched for the external memory.



Notes:

If the VPC3+C is connected to an 80286 or similar processor, it must be taken into consideration that the processor carries out word accesses. That is, either a 'swapper' is necessary that switches the characters out of the VPC3+C at the correct byte position of the 16-bit data bus during reading or the least significant address bit is not connected and the 80286 must read word accesses and evaluate only the lower byte.

Name	Input/Output	Type	Comments
DB(7..0)	I/O	Tristate	High-resistance during RESET
AB(10..0)	I		AB(10) has a pull down resistor.
MODE	I		Configuration: syn/async interface
XWR/E_CLOCK AB11	I		Intel: Write Sync. Motorola: E-Clk AB11 (Asynchronous Motorola Mode)
XRD/R_W	I		Intel: Read Motorola: Read/Write
XCS AB11	I		Chip Select AB11 (Synchronous Intel Mode)
ALE/AS AB11	I		Intel/Motorola: Address Latch Enable AB11 (Async. Intel / Sync. Motorola Mode)
DIVIDER	I		Scaling factor 2/4 for CLKOUT 2/4
X/INT	O	Push/Pull	Polarity programmable
XRDY/XDTACK	O	Push/Pull *	Intel/Motorola: Ready-Signal
CLK	I		48 MHz
XINT/MOT	I		Setting: Intel/Motorola
CLKOUT2/4	O	Push/Pull	24/12 MHz
RESET	I	Schmitt-Trigger	Minimum of 4 clock cycles

Figure 8-2: Microprocessor Bus Signals

* Due to compatibility reasons to existing competitive chips the XRDY/XDTACK output of the VPC3+C has push/pull characteristic (no tristate!).

Synchronous Intel Mode

In this mode Intel CPUs like 80C51/52/32 and compatible processor series from several manufacturers can be used.

- Synchronous bus timing without evaluation of the XREADY signal
- 8-bit multiplexed bus: ADB7..0
- The lower address bits AB7..0 are stored with the ALE signal in an internal address latch.
- The internal CS decoder is activated. VPC3+C generates its own CS signal from the address lines AB10..3. The VPC3+C selects the relevant address window from the AB2..0 signals.
- A11 from the microcontroller must be connected to XCS (pin 1) in 4K Byte mode as this is the additional address bus signal in this mode. In 2K Byte mode this pin is not used and should be pulled to VDD.

Asynchronous Intel Mode

In this mode various 16-/8-bit microcontroller series like Intel's x86, Siemens 80C16x or compatible series from other manufacturers can be used.

- Asynchronous bus timing with evaluation of the XREADY signal
- 8-bit non-multiplexed bus: DB7..0, AB10..0 (AB11..0 in 4K Byte mode)
- The internal VPC3+C address decoder is disabled, the XCS input is used instead.
- External address decoding is always necessary.
- External chip select logic is necessary if not present in the microcontroller
- A11 from the microcontroller must be connected to ALE/AS (pin 24) in 4K Byte mode as this is the additional address bus signal in this mode. In 2K Byte mode this pin is not used and should be pulled to GND.

Asynchronous Motorola Mode

Motorola microcontrollers like the HC16 and HC916 can be used in this mode. When using HC11 types with a multiplexed bus the address signals AB7..0 must be generated from the DB7..0 signals externally.

- Asynchronous bus timing with evaluation of the XREADY signal
- 8-bit non-multiplexed bus: DB7..0, (AB11..0 in 4K Byte mode)
- The internal VPC3+C address decoder is disabled, the XCS input is used instead.
- Chip select logic is available and programmable in all microcontrollers mentioned above.
- AB11 must be connected to XWR/E_CLOCK (pin 2) in 4K Byte mode as this is the additional address bus signal in this mode. In 2K Byte mode this pin is not used and should be pulled to GND.

Synchronous Motorola Mode

Motorola microcontrollers like the HC11 types K, N, M, F1 or the HC16- and HC916 types with programmable E_Clock timing can be used in this mode. When using HC11 types with a multiplexed bus the address signals AB7..0 must be generated from the DB7..0 signals externally.

- Synchronous bus timing without evaluation of the XREADY signal
- 8-bit non-multiplexed bus: DB7..0, AB10..0 (AB11..0 in 4K Byte mode)
- The internal VPC3+C address decoder is disabled, the XCS input is used instead.
- For microcontrollers with chip select logic (K, F1, HC16 and HC916), the chip select signals are programmable regarding address range, priority, polarity and window width in the write cycle or read cycle.
- For microcontrollers without chip select logic (N and M) and others, an external chip select logic is required. This means additional hardware and a fixed assignment.
- If the CPU is clocked by the VPC3+C, the output clock pulse (CLKOUT 2/4) must be 4 times larger than the E_Clock. That is, a clock pulse signal must be present at the CLK input that is at least 10 times larger than the desired system clock pulse (E_Clock). The Divider-Pin must be connected to '0' (divider 4). This results in an E_Clock of 3 MHz.
- AB11 must be connected to ALE/AS (pin 24) in 4K Byte mode as this is the additional address bus signal in this mode. In 2K Byte mode this pin is not used and should be pulled to GND.

8.1.3 Application Examples (Principles)

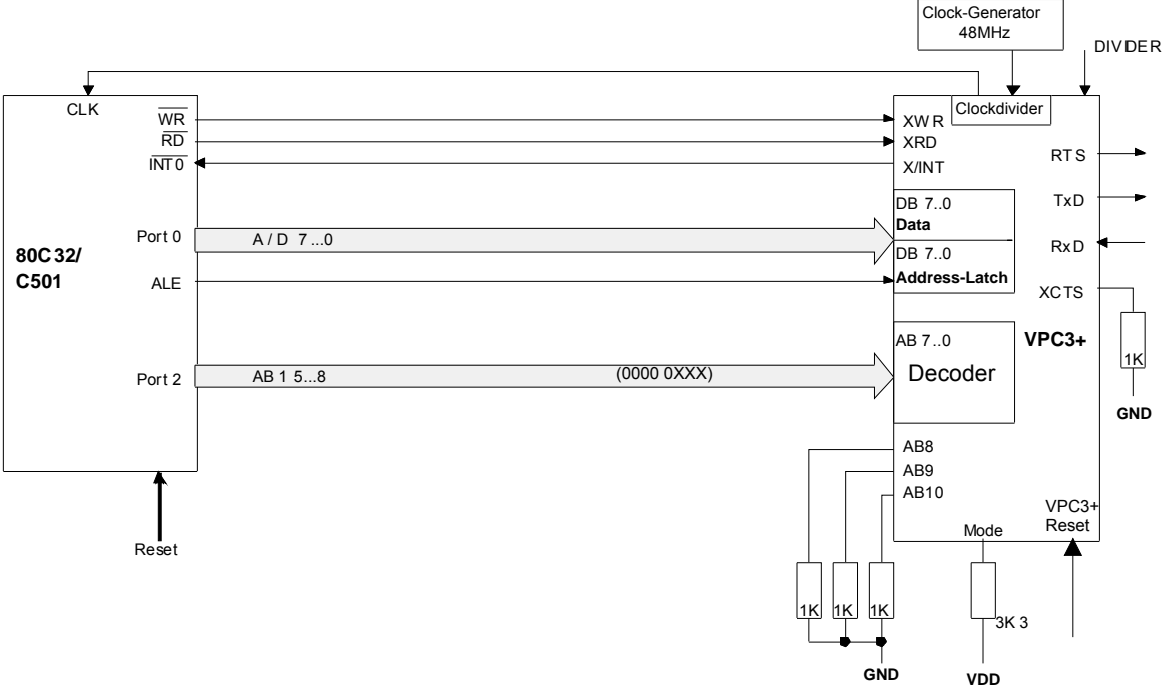


Figure 8-3: Low Cost System with 80C32

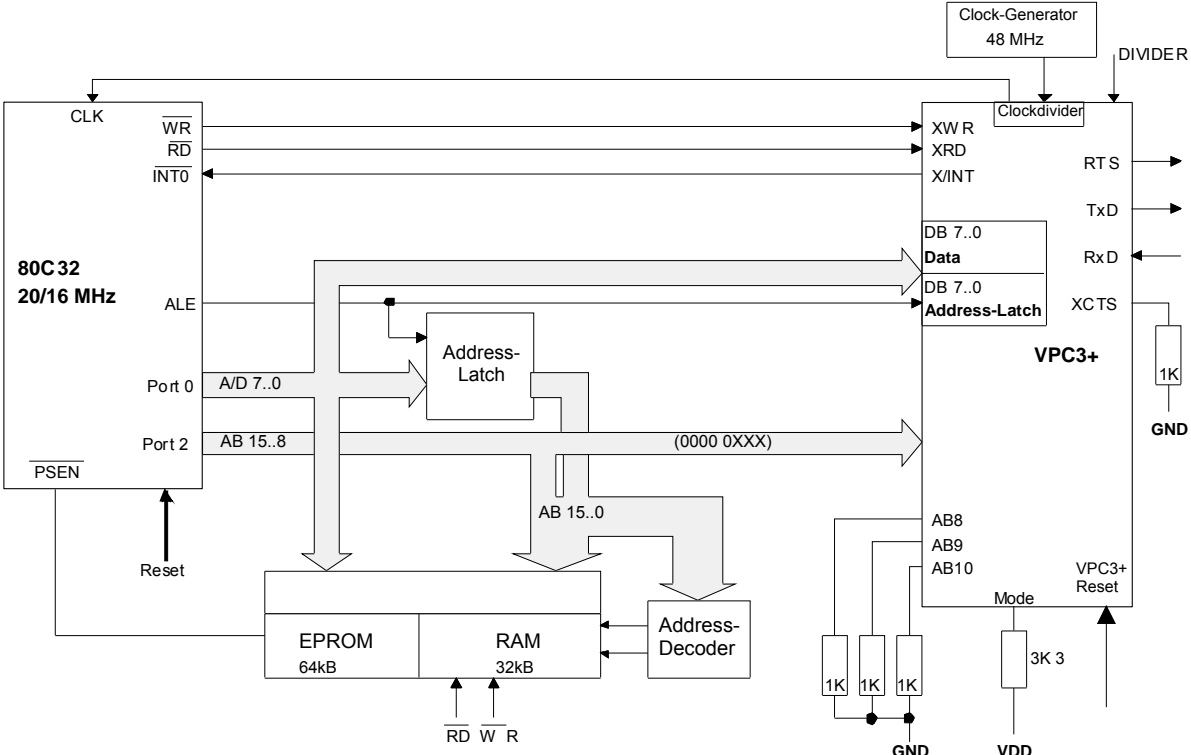


Figure 8-4: 80C32 System with External Memory

8 Hardware Interface

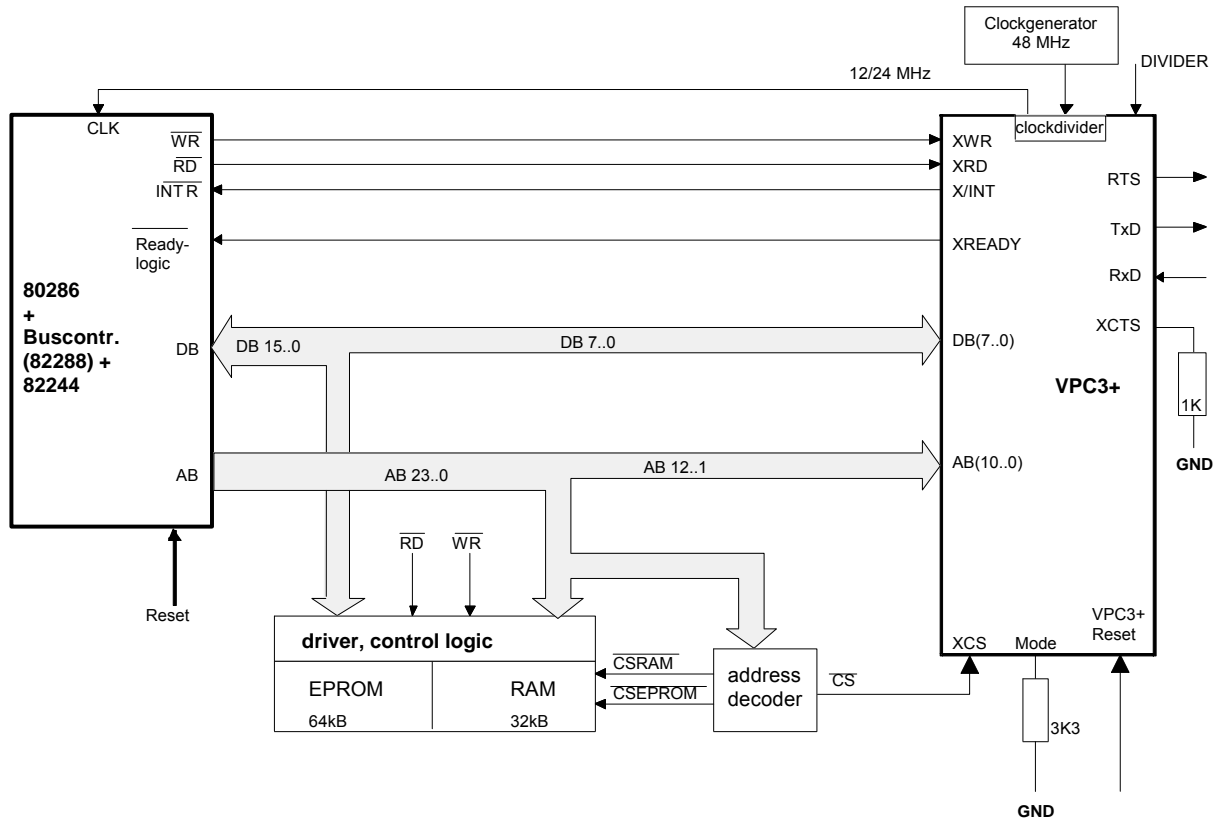


Figure 8-5: 80286 System (X86 Mode)

8.1.4 Application with 80C32 (2K Byte RAM Mode)

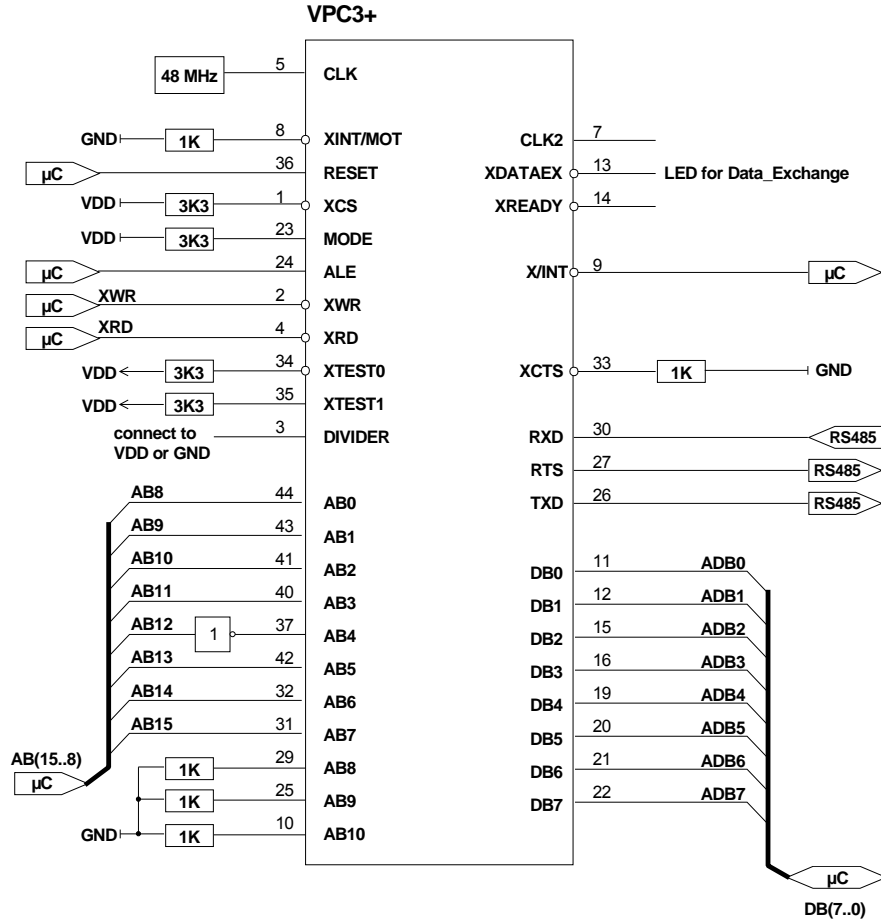


Figure 8-6: 80C32 Application in 2K Byte mode

The internal chipselect is activated when the address inputs AB[10..3] of the VPC3+C are set to '0'. In the example above the start address of the VPC3+C is set to 1000H.

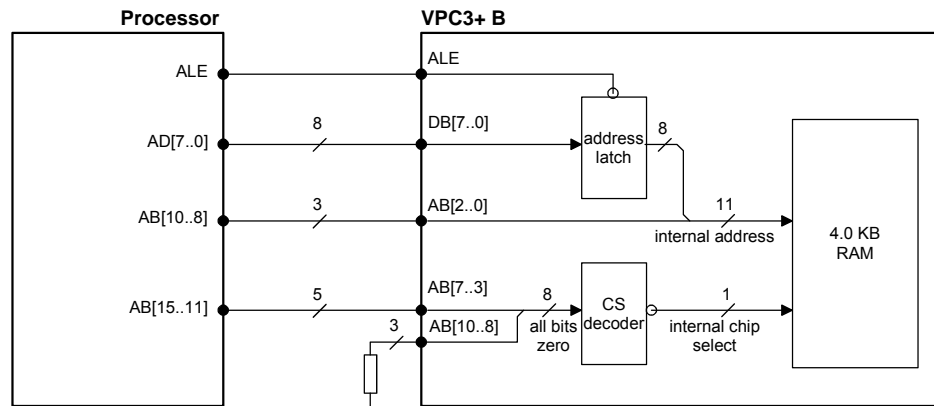


Figure 8-7: Internal Chipselect Generation in Synchronous Intel Mode, 2K Byte RAM

8 Hardware Interface

8.1.5 Application with 80C32 (4K Byte RAM Mode)

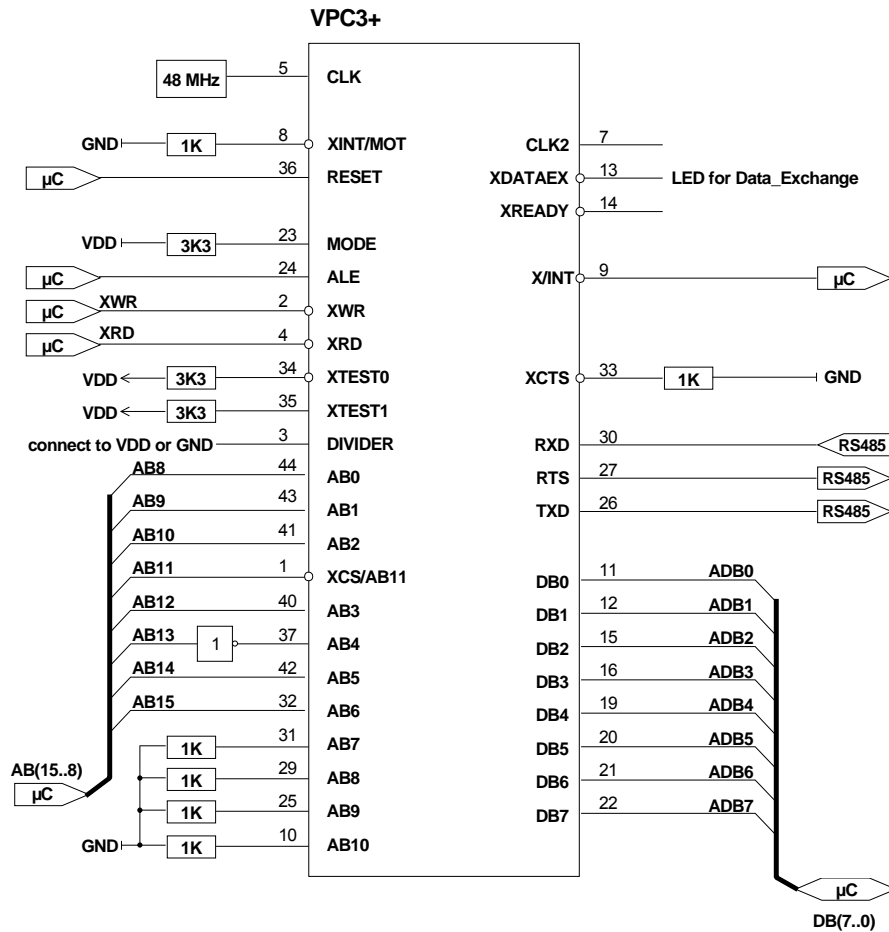


Figure 8-8: 80C32 Application in 4K Byte mode

The internal chipselect is activated when the address inputs AB[10..3] of the VPC3+C are set to '0'.

In the example above the start address of the VPC3+C is set to 2000H.

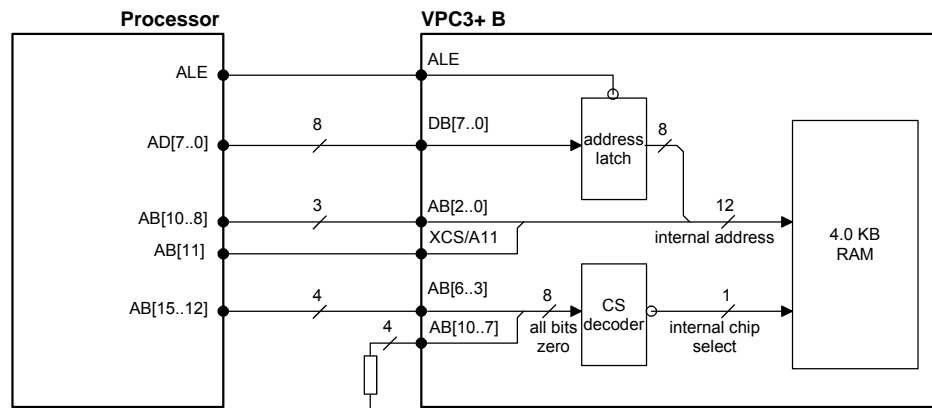


Figure 8-9 : Internal Chipselect Generation in Synchronous Intel Mode, 4K Byte RAM

8.1.6 Application with 80C165

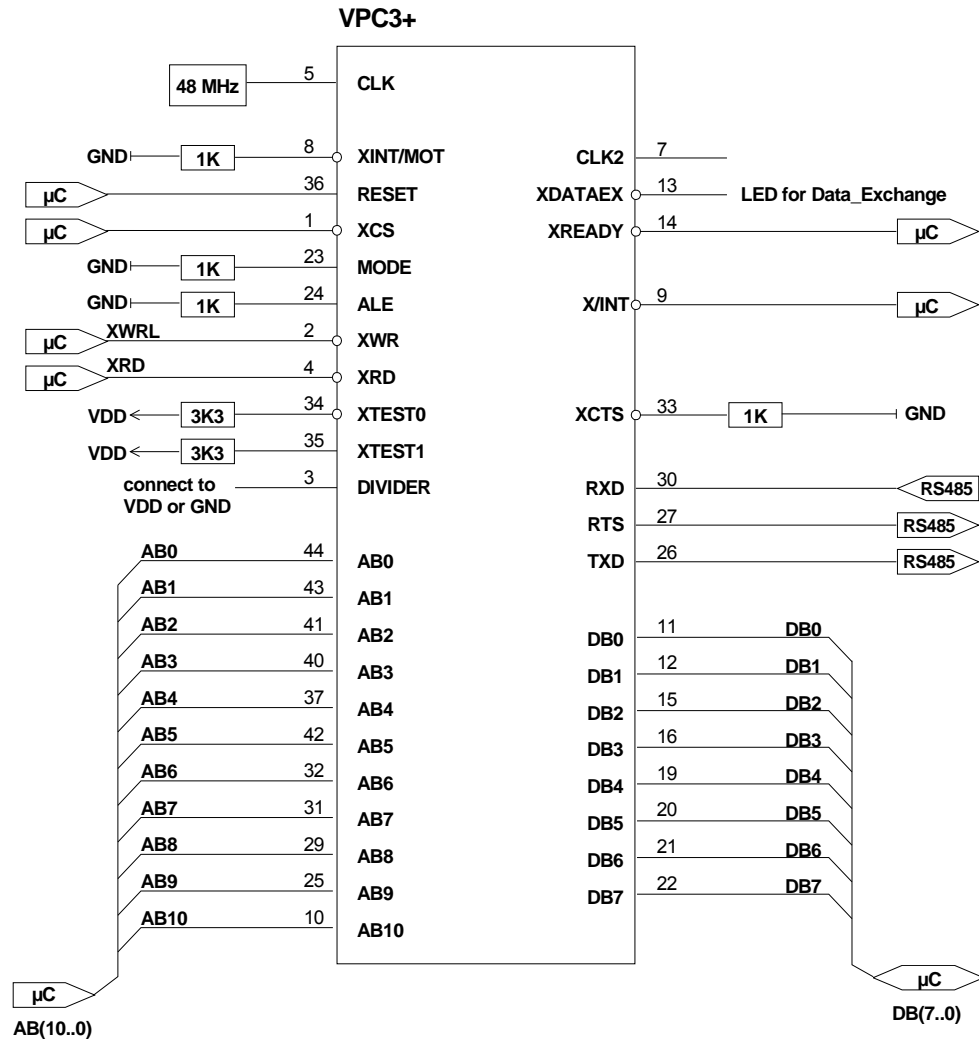


Figure 8-10: 80C165 Application

8.2 Dual Port RAM Controller

The internal 4K Byte RAM of the VPC3+C is a single-port RAM. An integrated Dual-Port RAM controller, however, permits an almost simultaneous access of both ports (bus interface and microsequencer interface). When there is a simultaneous access of both ports, the bus interface has priority. This guarantees the shortest possible access time. If the VPC3+C is connected to a microcontroller with an asynchronous interface, the controller can evaluate the Ready signal.

8 Hardware Interface

8.3 UART

The transmitter converts the parallel data structure into a serial data flow. Signal Request-to-Send (RTS) is generated before the first character. The XCTS input is available for connecting a modem. After RTS active, the transmitter must hold back the first telegram character until the modem activates XCTS. XCTS is checked again after each character.

The receiver converts the serial data flow into the parallel data structure and scans the serial data flow with the four-fold transmission speed. Stop bit testing can be switched off for test purposes ('Dis_Stop_Control = 1' in Mode Register 0 or Set_Prm telegram for DP). One requirement of the PROFIBUS protocol is that no rest states are permitted between the telegram characters. The VPC3+C transmitter ensures that this specification is maintained.

The synchronization of the receiver starts with the falling edge of the start bit. The start bit is checked again in the middle of the bit-time for low level. The data bits, the parity and the stop bit are also scanned in the middle of the bit-time. To compensate for the synchronization error, a repeater generates a $\pm 25\%$ distortion of the stop bit at a four-fold scan rate. In this case the VPC3+ should be parameterized with 'Dis_Start_Control = 1' (in Mode Register 0 or Set_Prm telegram for DP) in order to increase the permissible distortion of the stop bit.

8.4 ASIC Test

All output pins and I/O pins can be switched to the high-resistance state via the XTEST0 test pin. An additional XTEST1 input is provided to test the chip on automatic test devices (not in the target hardware environment!).

Pin	Name	Value	Function
34	XTEST0	VSS (GND)	All outputs high-resistance
		VDD	Normal VPC3+ function
35	XTEST1	VSS (GND)	Various test modes
		VDD	Normal VPC3+ function

Figure 8-11: Test Ports

9.1 Pin Assignment

The data transmission is performed in RS485 operating mode (i.e., physical RS485). The VPC3+C is connected via the following signals to the galvanically isolated interface drivers.

Signal Name	Input/Output	Function
RTS	Output	Request to send
TXD	Output	Sending data
RXD	Input	Receiving data

Figure 9-1: PROFIBUS Signals

The PROFIBUS interface is a 9-way, sub D, plug connector with the following pin assignment.

- Pin 1 - Free
- Pin 2 - Free
- Pin 3 - B line
- Pin 4 - Request to send (RTS)
- Pin 5 - Ground 5V (M 5)
- Pin 6 - Potential 5V (floating P5)
- Pin 7 - Free
- Pin 8 - A line
- Pin 9 - Free

The cable shield must be connected to the plug connector housing.
The free pins are described as optional in IEC 61158-2.



CAUTION:

The pin names A and B on the plug connector refer to the signal names in the RS485 standard and not the pin names of driver ICs.

Keep the wires from driver to connector as short as possible.

9 PROFIBUS Interface

9.2 Example for the RS485 Interface

To minimize the capacity of the bus lines the user should avoid additional capacities. The typical capacity of a bus station should be 15...25 pF.

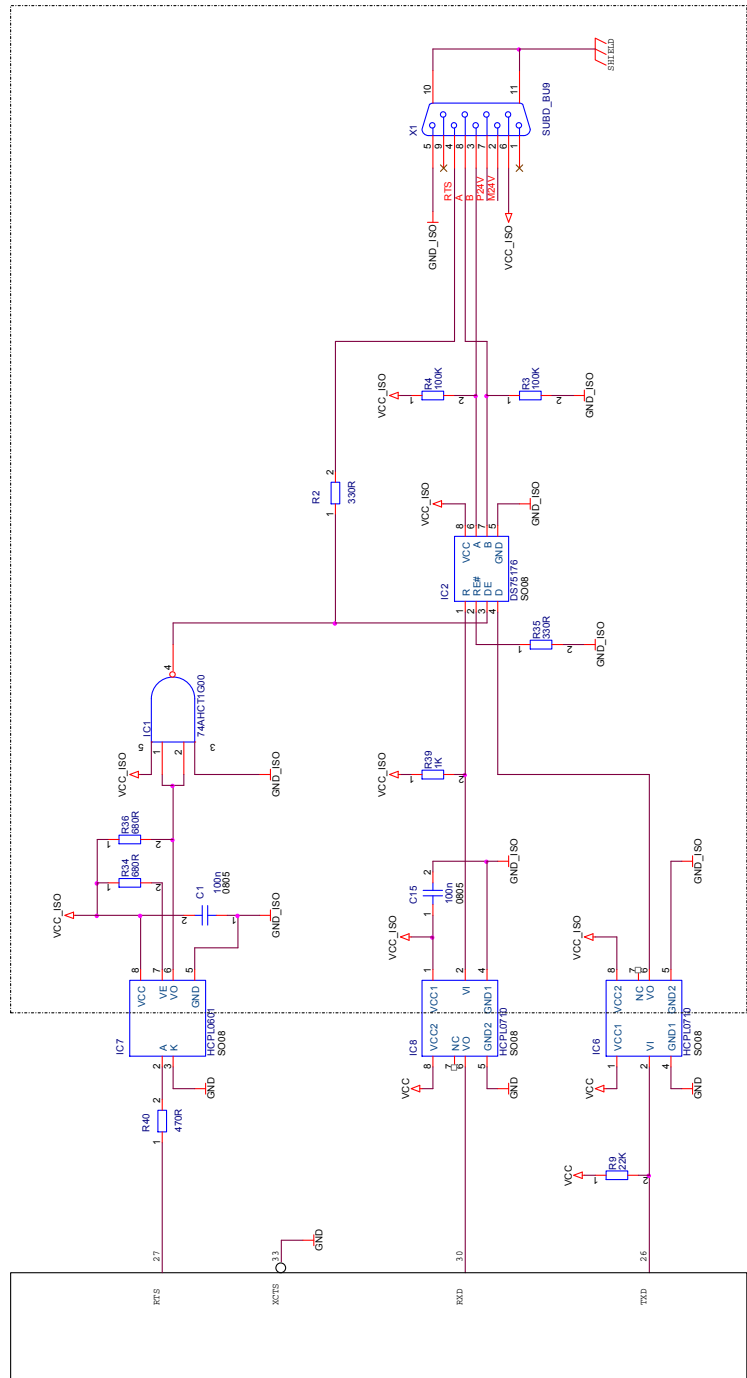


Figure 9-2: Example for the RS485 Interface

Operational Specifications 10

10.1 Absolute Maximum Ratings

Parameter	Symbol	Limits	Unit
DC supply voltage	V _{DD}	-0.3 to 6.0	V
Input voltage	V _I	-0.3 to V _{DD} +0.3	V
Output voltage	V _O	-0.3 to V _{DD} +0.3	V
DC output current	I _O	See Figure 10-4	mA
Storage temperature	T _{store}	-40 to +125	°C

Figure 10-1: Absolute Maximum Ratings

10.2 Recommended Operating Conditions

Parameter	Symbol	MIN	MAX	Unit
DC supply voltage	V _{DD}	3.00	5.50	V
Static supply current	I _{DD}		100 ¹⁾	µA
Circuit ground	V _{SS}	0	0	V
Input voltage	V _I	0	5.50	V
Input voltage (HIGH level)	V _{IH}	0.7 V _{DD}	5.50	V
Input voltage (LOW level)	V _{IL}	0	0.3 V _{DD}	V
Output voltage	V _O	0	V _{DD}	V
Ambient temperature	T _A	-40	+85	°C

¹⁾: Static I_{DD} current is exclusively of input/output drive requirements and is measured with the clock stopped and all inputs tied to V_{DD} or V_{SS}.

Figure 10-2: Recommended Operating Conditions

10.3 General DC Characteristics

Parameter	Symbol	MIN	TYP	MAX	Unit
Input LOW current	I _{IL}	-1		+1	µA
Input HIGH current	I _{IH}	-1		+1	µA
Tri-state leakage current	I _{OZ}	-10		+10	µA
Current consumption (3.3V)	I _A		45		mA
Current consumption (5V)	I _A		90		mA
Input capacitance	C _{IN}		5		pF
Output capacitance	C _{OUT}		5		pF
Bi-directional buffer capacitance	C _{BID}		5		pF

Figure 10-3: General DC Characteristics

10 Operational Specifications

10.4 Ratings for the Output Drivers

Signal	Direction	Driver Type	Driver Strength	Max. Cap. Load
DB 0-7	I/O	Tristate	8mA	100pF
RTS	O	Push/Pull	8mA	50pF
TXD	O	Tristate	8mA	50pF
X/INT	O	Push/Pull	4mA	50pF
XREADY/XDTACK	O	Push/Pull	4mA	50pF
XDATAEXCH	O	Push/Pull	8mA	50pF
CLKOUT2/4	O	Push/Pull	8mA	100pF

Figure 10-4: Ratings for the Output Drivers

10.5 DC Electrical Characteristics Specification for 5V Operation

Parameter	Symbol	MIN	TYP	MAX	Unit
DC supply voltage	V_{CC}	4.50	5.00	5.50	V
CMOS input voltage LOW level	V_{ILC}	0		0.3 V_{DD}	V
CMOS input voltage HIGH level	V_{IHC}	0.7 V_{DD}		V_{DD}	V
Output voltage LOW level	V_{OL}			0.4	V
Output voltage HIGH level	V_{OH}	3.5			V
CMOS Schmitt Trigger negative going threshold voltage	V_{T-}	1.5	1.8		V
CMOS Schmitt Trigger positive going threshold voltage	V_{T+}		3.2	3.5	V
TTL Schmitt Trigger negative going threshold voltage	V_{T-}	0.9	1.1		V
TTL Schmitt Trigger positive going threshold voltage	V_{T+}		1.9	2.1	V
Input LOW current	I_{IL}	-1		+1	μ A
Input HIGH current	I_{IH}	-1		+1	μ A
Tri-state leakage current	I_{OZ}	-10	\pm 1	+10	μ A
Output current LOW level, 4mA cell	I_{OL}	4.0			mA
Output current HIGH level, 4mA cell	I_{OH}	-4.0			mA
Output current LOW level, 8mA cell	I_{OL}	8.0			mA
Output current HIGH level, 8mA cell	I_{OH}	-8.0			mA

Figure 10-5: DC Specification of I/O Drivers for 5V Operation

10.6 DC Electrical Characteristics Specification for 3.3V Operation

Parameter	Symbol	MIN	TYP	MAX	Unit
DC supply voltage	V_{CC}	3.00	3.30	3.60	V
CMOS input voltage LOW level	V_{ILC}	0		$0.3 V_{DD}$	V
CMOS input voltage HIGH level	V_{IHC}	$0.7 V_{DD}$		5.50	V
Output voltage LOW level	V_{OL}			0.4	V
Output voltage HIGH level	V_{OH}	2.4			V
CMOS Schmitt Trigger negative going threshold voltage	V_{T-}	0.8			V
CMOS Schmitt Trigger positive going threshold voltage	V_{T+}			2.7	V
TTL Schmitt Trigger negative going threshold voltage	V_{T-}	0.6			V
TTL Schmitt Trigger positive going threshold voltage	V_{T+}			1.7	V
Input LOW current	I_{IL}	-1		+1	μA
Input HIGH current	I_{IH}	-1		+1	μA
Tri-state leakage current	I_{OZ}	-10	± 1	+10	μA
Output current LOW level, 4mA cell	I_{OL}	+2.8			mA
Output current HIGH level, 4mA cell	I_{OH}	-2.8			mA
Output current LOW level, 8mA cell	I_{OL}	+5.6			mA
Output current HIGH level, 8mA cell	I_{OH}	-5.6			mA

Figure 10-6: DC Specification of I/O Drivers for 3.3V Operation



Notes:

For 3.3V operation the VPC3+C is equipped with 5V tolerant inputs except for the clock pin CLK. When using 3.3V supply voltage the clock input needs to be 3.3V level.

For 3.3V operation the guaranteed minimum output current is 70% of that for 5V operation mode.

10 Operational Specifications

10.7 Timing Characteristics

All signals beginning with 'X' are 'low active'. All timing values are based on the capacitive loads specified in the table above.

10.7.1 System Bus Interface

Clock

Clock frequency is 48 MHz. Distortion of the clock signal is permissible up to a ratio of 30:70 at the threshold levels 0.9 V and 2.1 V.

Parameter	Symbol	MIN	MAX	Unit
Clock period	T	20.83	20.83	
Clock high time	T _{CH}	6.25	14.6	ns
Clock low time	T _{CL}	6.25	14.6	ns
Clock rise time	T _{CR}		4	ns
Clock fall time	T _{CF}		4	ns

Figure 10-7: Clock Timing



Note:

For 3.3V operation the VPC3+C is equipped with 5V tolerant inputs except for the clock pin CLK. When using 3.3V supply voltage the clock input needs to be 3.3V level.

Interrupt:

After acknowledging an interrupt with EOI, the interrupt output of the VPC3+C is deactivated for at least 1 us or 1 ms depending on the bit EOI_Time_Base in Mode Register 0.

Parameter	MIN	MAX	Unit
Interrupt inactive time EOI_Timebase = '0'	1	1	µs
Interrupt inactive time EOI_Timebase = '1'	1	1	ms

Figure 10-8: End-of-Interrupt Timing

Reset:

VPC3+C requires a minimum reset phase of 100 ns at power-on.

10.7.2 Timing in the Synchronous Intel Mode

In the synchronous Intel mode, the VPC3+C latches the least significant addresses with the falling edge of ALE. At the same time, the VPC3+C expects the most significant address bits on the address bus. An internal chipselect signal is generated from the most significant address bits. The request for an access to the VPC3+C is generated from the falling edge of the read signal (XRD) and from the rising edge of the write signal (XWR).

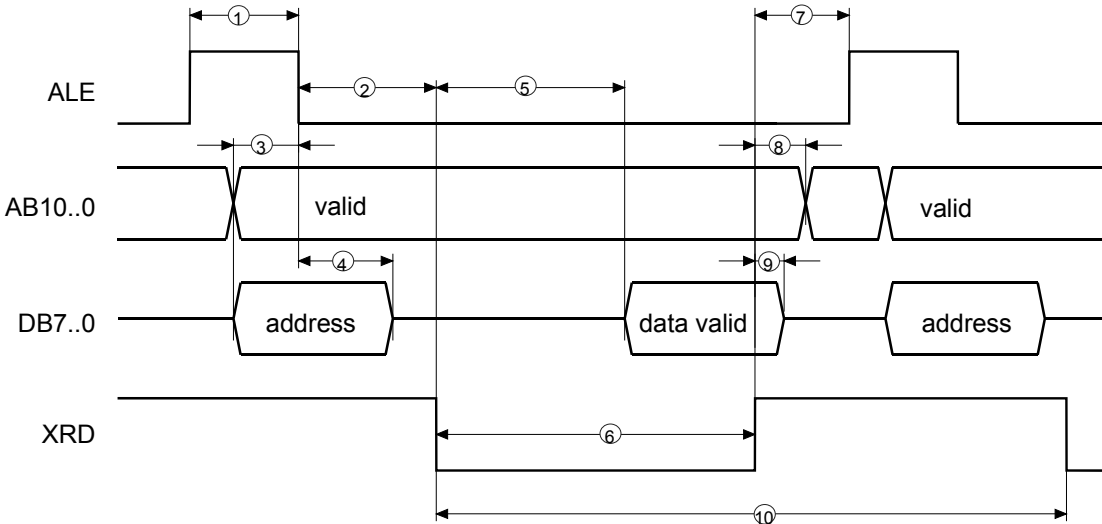


Figure 10-9: Synchronous Intel Mode, READ (XWR = 1)

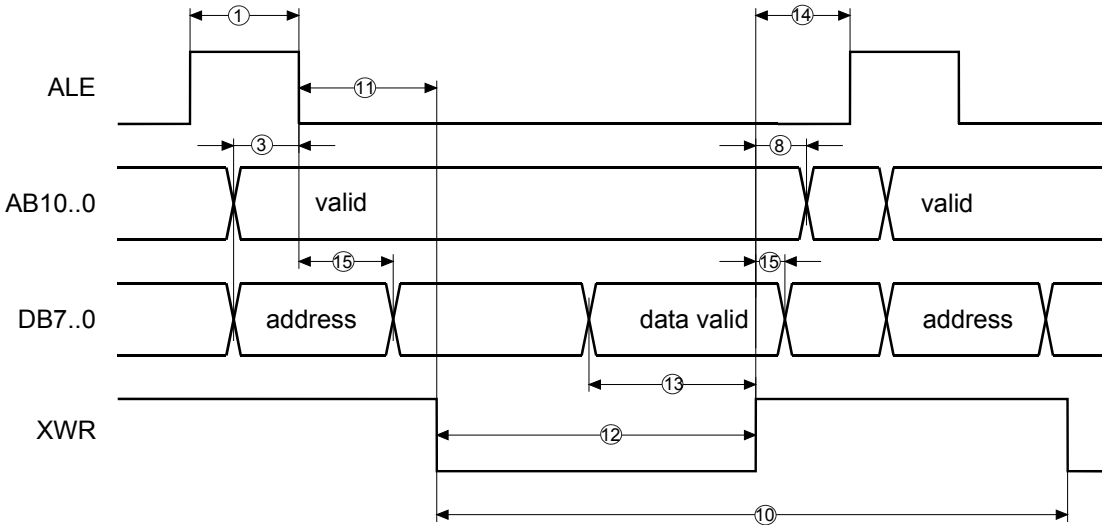


Figure 10-10: Synchronous Intel Mode, WRITE (XRD = 1)

10 Operational Specifications

No.	Parameter	V _{DD} = 3.3 V		V _{DD} = 5 V		Unit
		MIN	MAX	MIN	MAX	
1	ALE pulsewidth	10		10		ns
2	ALE ↓ to XRD ↓	20		20		ns
3	Address to ALE ↓ setup time	10		10		ns
4	Address holdtime after ALE ↓	10		10		ns
5	XRD ↓ to data valid		103		97	ns
6	XRD pulsewidth	115		115		ns
7	XRD ↑ to ALE ↑	10		10		ns
8	address (AB7..0) holdtime after XRD/XWR ↑	5		5		ns
9	data holdtime after XRD ↑	4	16	4	13	ns
10	XRD / XWR cycle time	155		155		ns
11	ALE ↓ to XWR ↓	20		20		ns
12	XWR pulsewidth	83		83		ns
13	data setup time to XWR ↑	10		10		ns
14	XWR ↑ to ALE ↑	10		10		ns
15	data holdtime after XWR ↑	10		10		ns

Figure 10-11: Timing, Synchronous Intel Mode

10.7.3 Timing in the Asynchronous Intel Mode

In the asynchronous Intel mode, the VPC3+C acts like a memory with ready logic. The access time depends on the type of access. The request for an access to the VPC3+C is generated from the falling edge of the read signal (XRD) or the rising edge of the write signal (XWR). The VPC3+C generates the Ready signal synchronously to the system clock. The Ready signal gets inactive when the read or the write signal is deactivated. The data bus is switched to Tristate with XRD = '1'.

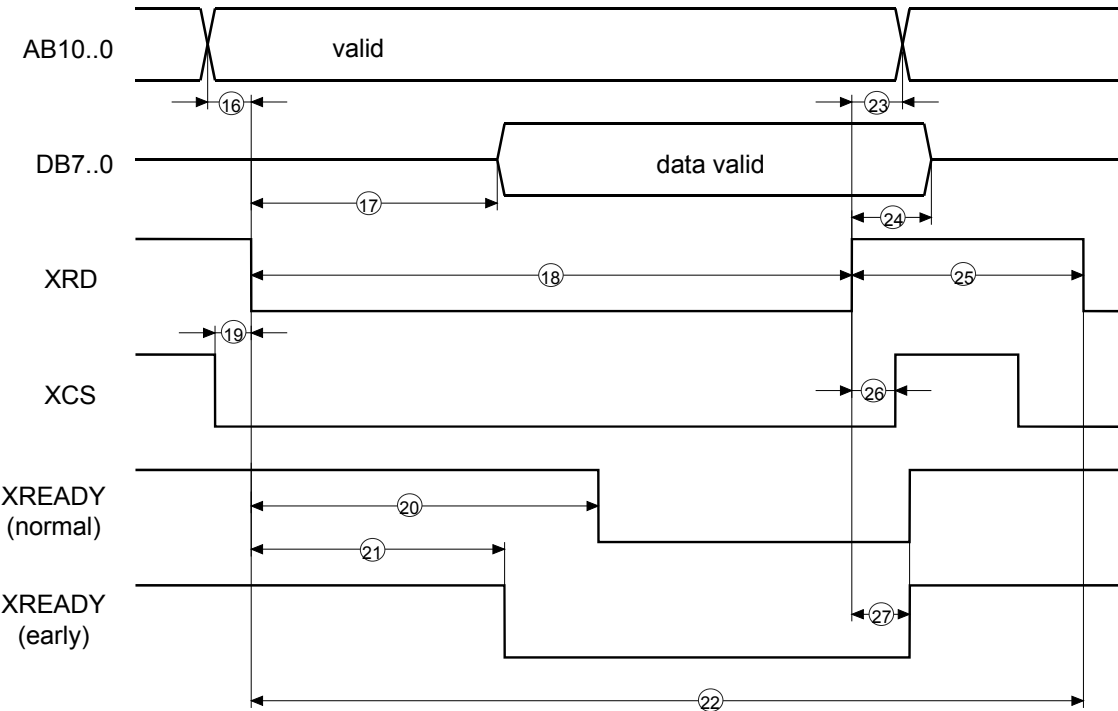


Figure 10-12: Asynchronous Intel Mode, READ (XWR = 1)

10 Operational Specifications

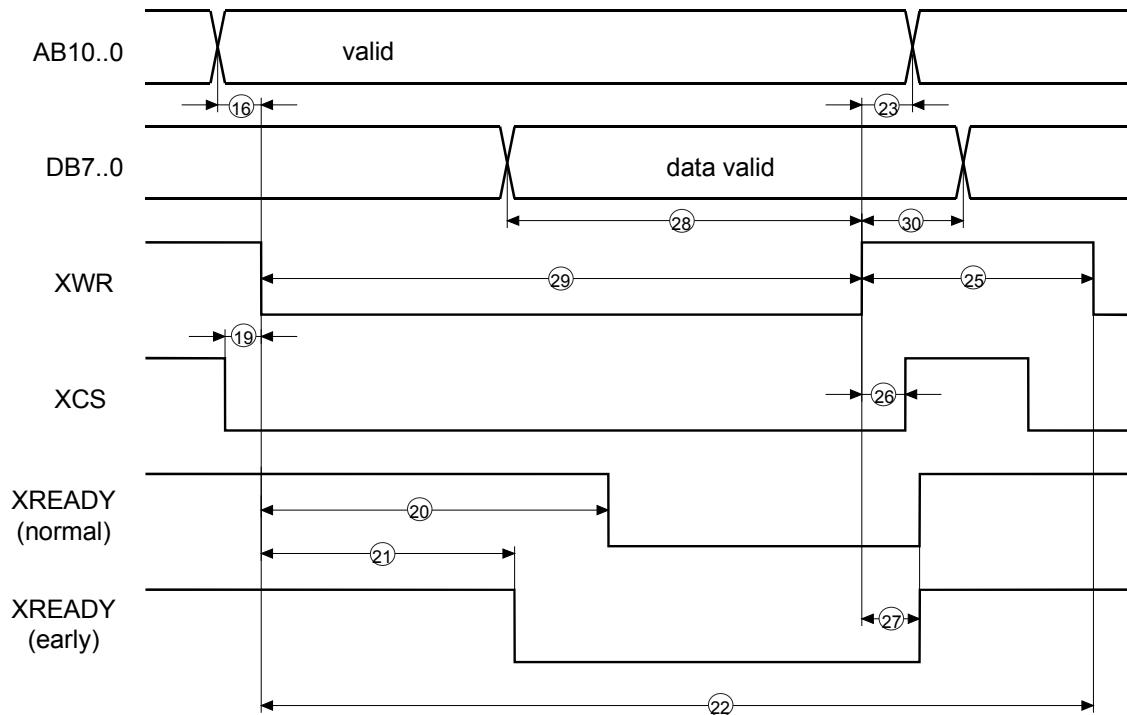


Figure 10-13: Asynchronous Intel Mode, WRITE (XRD = 1)

No.	Parameter	VDD = 3.3 V		VDD = 5 V		Unit
		MIN	MAX	MIN	MAX	
16	address-setuptime to XRD / XWR ↓	0		0		ns
17	XRD ↓ to data valid		103		97	ns
18	XRD pulsewidth	115		115		ns
19	XCS ↓ setuptime to XRD / XWR ↓	0		0		ns
20	XRD ↓ to XREADY ↓ (Normal-Ready)		132		126	ns
21	XRD ↓ to XREADY ↓ (Early-Ready)		111		105	ns
22	XRD / XWR cycletime	125		125		ns
23	address holdtime after XRD / XWR ↑	0		0		ns
24	data holdtime after XRD ↑	4	16	4	13	ns
25	read/write inactive time	10		10		ns
26	XCS holdtime after XRD / XWR ↑	0		0		ns
27	XREADY holdtime after XRD / XWR	6	21	5	16	ns
28	data setuptime to XWR ↑	10		10		ns
29	XWR pulsewidth	83		83		ns
30	data holdtime after XWR ↑	10		10		ns

Figure 10-14: Timing, Asynchronous Intel Mode

10.7.4 Timing in the Synchronous Motorola Mode

If the CPU is clocked by the VPC3+C, the output clock pulse (CLKOUT 2/4) must be 4 times larger than the E_Clock. That is, a clock pulse signal must be present at the CLK input that is at least 10 times larger than the desired system clock pulse (E_Clock). The Divider-Pin must be connected to '0' (divider 4). This results in an E_Clock of 3 MHz.

The request for a read access to the VPC3+C is derived from the rising edge of the E_Clock (in addition: XCS = 0, R_W = 1). The request for a write access is derived from the falling edge of the E_Clock (in addition: XCS = 0, R_W = 0).

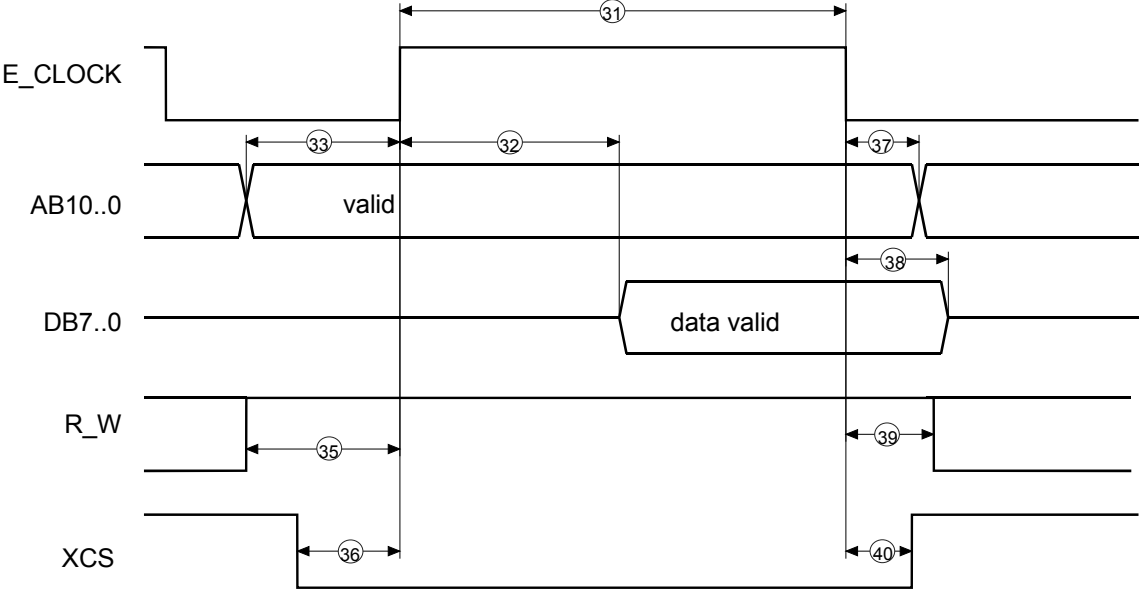


Figure 10-15: Synchronous Motorola-Mode, READ (AS = 1)

10 Operational Specifications

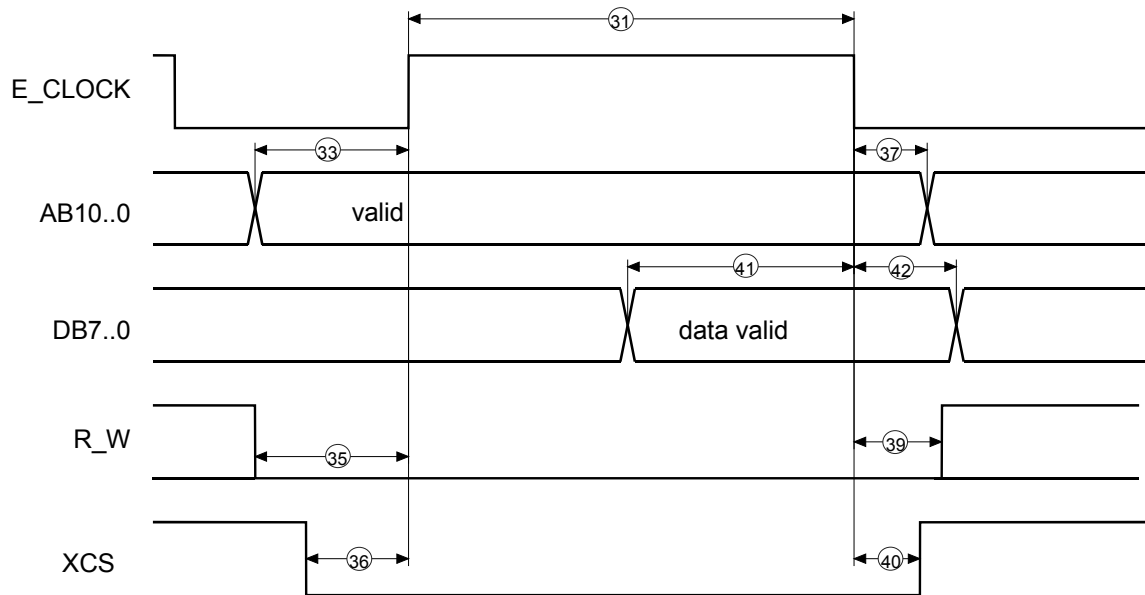


Figure 10-16: Synchronous Motorola-Mode, WRITE (AS = 1)

No.	Parameter	VDD = 3.3 V		VDD = 5 V		Unit
		MIN	MAX	MIN	MAX	
31	E_Clock pulse width	136.7		136.7		ns
33	Address setup time (A10..0) to E_Clock ↑	10		10		ns
37	Address holdtime after E_Clock ↓	5		5		ns
32	E_Clock ↑ to Data valid		103		97	ns
38	Data holdtime after E_Clock ↓	4	16	4	12	ns
35	R_W setup time to E_Clock ↑	10		10		ns
39	R_W holdtime after E_Clock ↓	5		5		ns
36	XCS setup time to E_Clock ↑	0		0		ns
40	XCS holdtime after E_Clock ↓	0		0		ns
41	Data setup time to E_Clock ↓	10		10		ns
42	Data holdtime after E_Clock ↓	10		10		ns

Figure 10-17: Timing, Synchronous Motorola Mode

10.7.5 Timing in the Asynchronous Motorola Mode

In the asynchronous Motorola mode, the VPC3+C acts like a memory with Ready logic, whereby the access times depend on the type of access.

The request for an access of the VPC3+C is generated from the falling edge of the AS signal (in addition: XCS = '0', R_W = '1'). The request for a write access is generated from the rising edge of the AS signal (in addition: XCS = '0', R_W = '0').

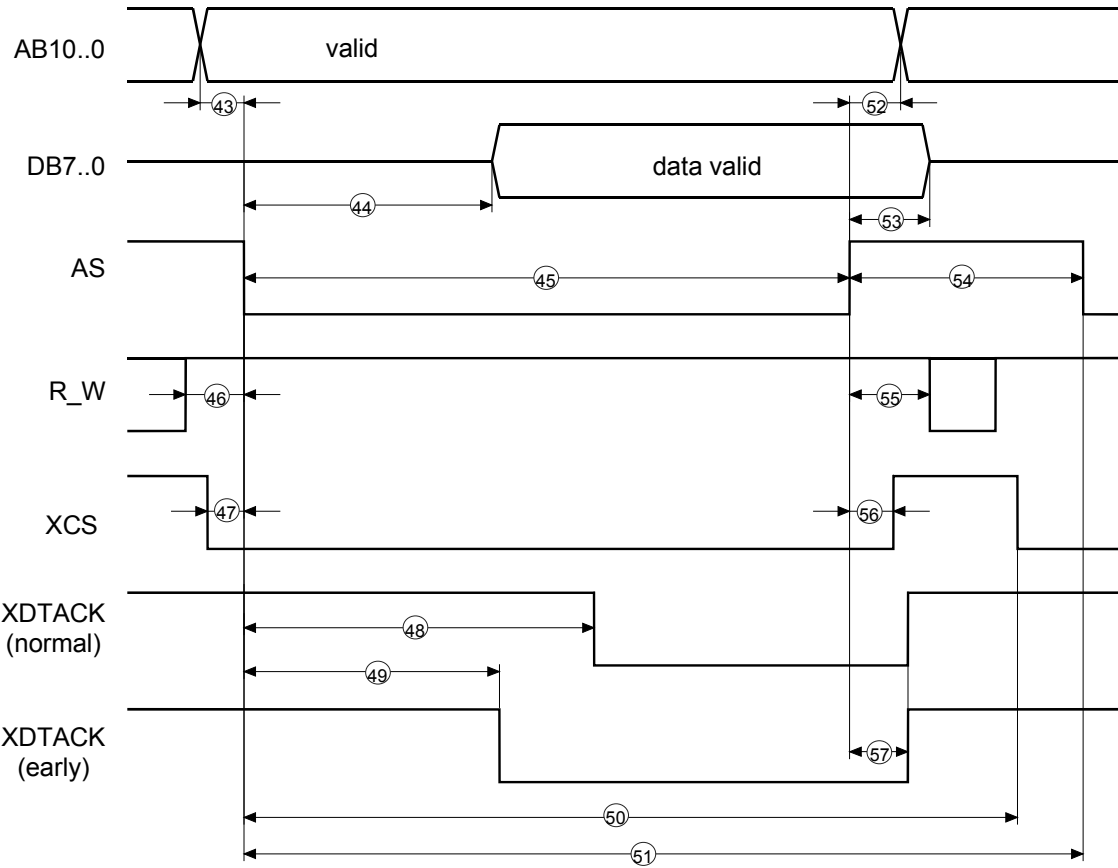


Figure 10-18: Asynchronous Motorola Mode, READ (E_CLOCK = 0)

10 Operational Specifications

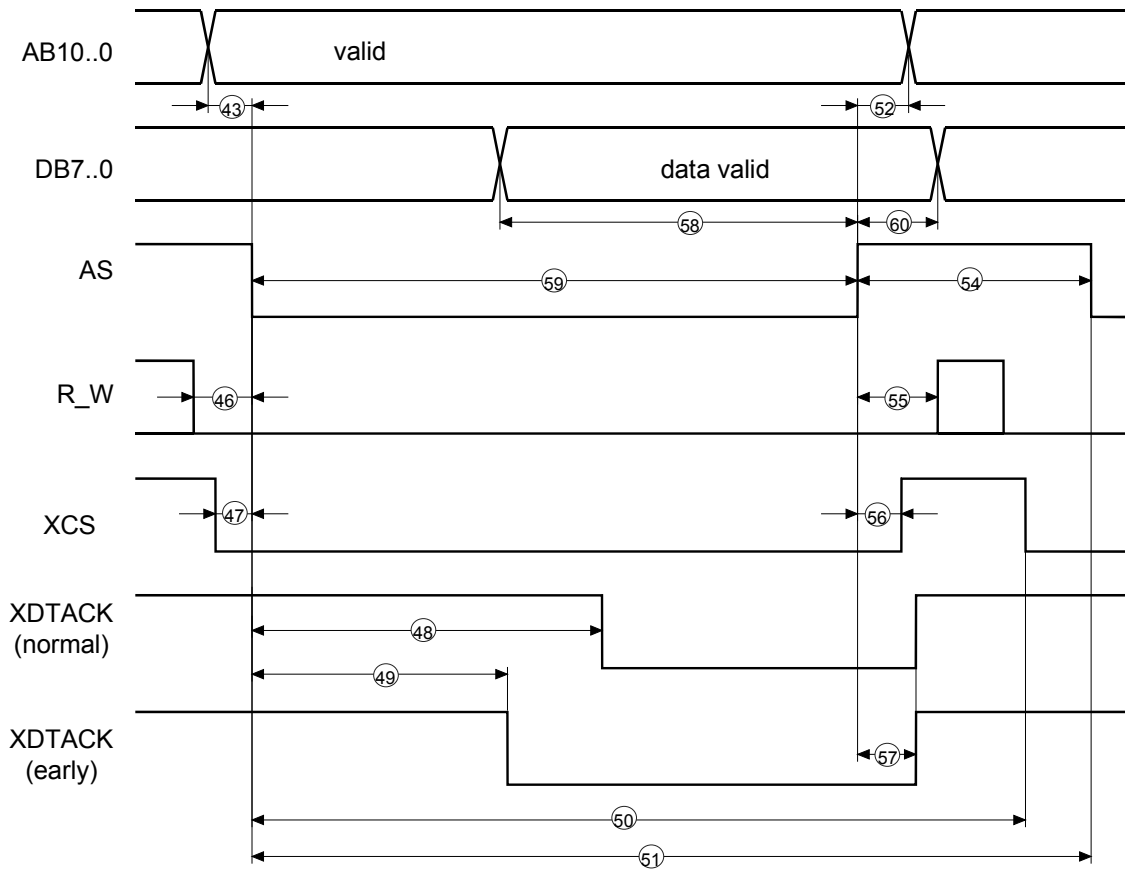


Figure 10-19: Asynchronous Motorola Mode (WRITE)

No.	Parameter	VDD = 3.3 V		VDD = 5 V		Unit
		MIN	MAX	MIN	MAX	
43	address setup time to AS ↓	0		0		ns
44	AS ↓ to data valid		103		97	ns
45	AS pulsewidth (read access)	115		115		ns
46	R_W ↓ setup time to AS ↓	10		10		ns
47	XCS ↓ setup time to AS ↓	5		5		ns
48	AS ↓ to XDTACK ↓ (Normal-Ready)		132		126	ns
49	AS ↓ to XDTACK ↓ (Early-Ready)		111		105	ns
50	last AS ↓ to XCS ↓	93		93		ns
51	AS cycle time	125		125		ns
52	address hold time after AS ↑	10		10		ns
53	Data hold time after AS ↑	4	16	4	13	ns
54	AS inactive time	10		10		ns
55	R_W hold time after AS ↑	10		10		ns
56	XCS hold time after AS ↑	0		0		ns
57	XDTACK hold time after AS ↑	6	21	5	16	ns
58	Data setup time to AS ↑	10		10		ns
59	AS pulsewidth (write access)	83		83		ns
60	Data hold time after AS ↑	10		10		ns

Figure 10-20: Timing, Asynchronous Motorola Mode

10 Operational Specifications

10.8 Package

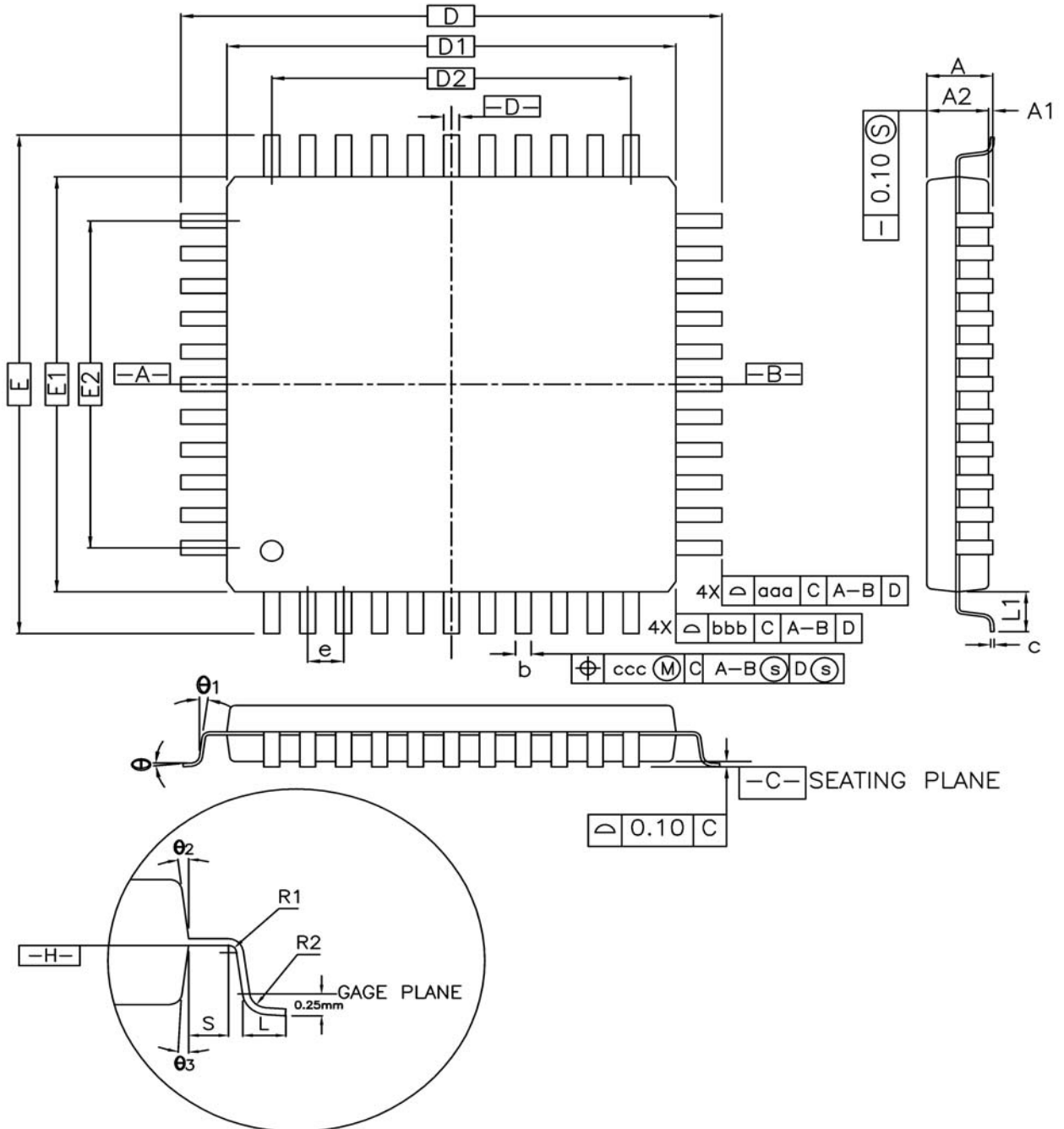


Figure 10-21: Package Drawing

SYMBOL	MILLIMETER			INCH		
	MIN	NOM	MAX	MIN	NOM	MAX
A	—	—	2.45	—	—	0.096
A1	0.15	0.25	0.35	0.006	0.010	0.014
A2	1.95	2.05	2.10	0.077	0.081	0.083
D	13.90 BASIC			0.547 BASIC		
D1	10.00 BASIC			0.394 BASIC		
E	13.90 BASIC			0.547 BASIC		
E1	10.00 BASIC			0.394 BASIC		
R2	0.13	—	0.30	0.005	—	0.012
R1	0.13	—	—	0.005	—	—
∅	0°	3.5°	7°	0°	3.5°	7°
∅1	0°	—	—	0°	—	—
∅2	10° REF			10° REF		
∅3	7° REF			7° REF		
c	0.11	0.15	0.23	0.004	0.006	0.009
L	0.73	0.88	1.03	0.029	0.035	0.041
L1	1.95 REF			0.077 REF		
S	0.40	—	—	0.016	—	—
b	0.22	0.30	0.38	0.009	0.012	0.015
e	0.80 BSC.			0.031 BSC.		
D2	8.0			0.315		
E2	8.0			0.315		
Tolerances of Form and Position						
aaa	0.25			0.010		
bbb	0.20			0.008		
ccc	0.20			0.008		

Figure 10-22 : Package Dimensions and Tolerances

Notes:

1. Dimensions D1 and E1 do not include mold protrusion. Allowable protrusion is 0.25 mm per side. Dimensions D1 and E1 do not include mold mismatch and are determined at datum plane $\boxed{-H-}$.
2. Dimension b does not include dambar protrusion. Allowable dambar protrusion shall be 0.08 mm total in excess of the b dimension at maximum material condition. Dambar cannot be located on the lower radius of the lead foot.

10 Operational Specifications

10.9 Processing Instructions

Generally, ESD protective measures must be maintained for all electronic components. The VPC3+C is a cracking-endangered component that must be properly handled.



A drying process must be carried out before the VPC3+C is processed. The component must be dried for 24 hours at 125°C and then processed within 48 hours. Due to the solderability of the component this drying process may be carried out once only.

10.10 Ordering Information

Order Code	Package	Operation Range	Notes
PA002003	PQFP44	Industrial (-40°C to +85°C)	End of Lifetime
PALF2003	PQFP44	Industrial (-40°C to +85°C)	RoHS compliant

Revision History

Version	Date	Page	Remarks
V1.00	10.05.2004		First release
V1.01	18.07.2004		Re-formatting and correction of typing errors
V1.02	22.09.2004		Some minor corrections
V1.03	12.01.2006	54 80 85	Consecutive paging Additional figures for FDL-Interface Figure 9-2 updated Figure 10-10 revised
V1.04	19.03.2007	62 63 96	Figure 7-12 revised Figure 7-13 revised Ordering Information added

profichip GmbH
Einsteinstrasse 6
91074 Herzogenaurach
Germany

Phone : +49.9132.744-200
Fax: +49.9132.744-204

www.profichip.com

